

**NOTE:** Creating correct falls without internal Gutters.

This example of a typical deck shows that minimal falls can be achieved by creating valleys rather than falling all in one direction to an internal gutter.

- Minimum falls are still greater than 1:100 in the valleys.
- Overall heights required are reduced without designing long internal gutters.
- No gutters minimises detail and makes better use of the deck or roof
- **You save 30% of height with this example. An Internal Gutter would require 120mm**

It is Viking Roofspecs view that Internal Gutters may be eliminated in many cases. In doing so you can reduce overall heights or increase roof falls while reducing risk and detail.

**To find out more contact Viking Roofspec Technical 0800 729-799**

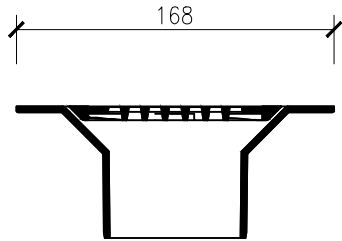
Fall of 1:40 (1.5°) over 1.2mt = 30mm  
 1:83 over 2.500mt  
 1:93 over 2.773mt in valleys



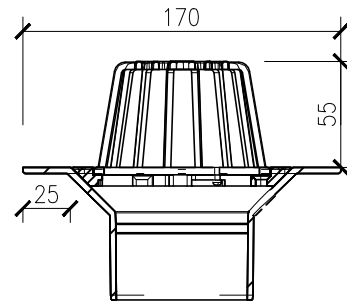
DRAWING TITLE
Best Design principles for Roof / Deck No Gutters

NOTES:
1/ Substrate Indicative Only 2/ No fillets required at upstands for Dec-K-ing

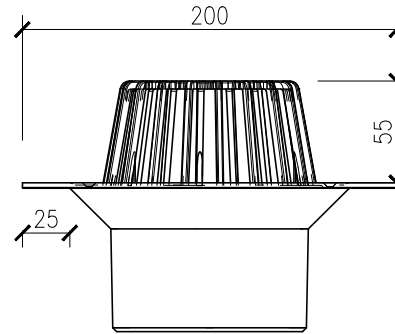
DRAWING STATUS		
INFORMATION ONLY		
Not to Scale	DATE 29/4/2015	Detail Ref.
DRAWN	Viking	No Gutters A
SERIES	1.10	



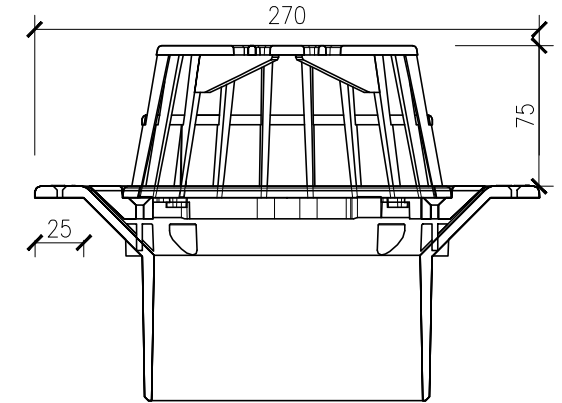
SDM032  
80mm PVC Flat Chrome Drain  
Flowrate 3.26 Lts / sec



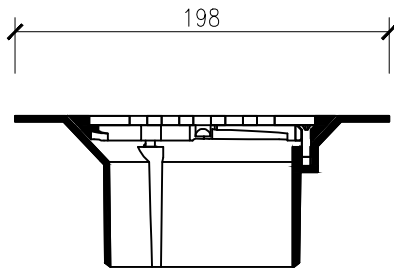
SDM036  
80mm PVC Drain  
Flowrate 3.26 Lts / sec



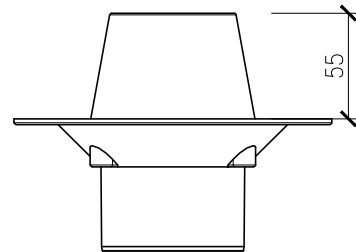
SDM037  
100mm PVC Drain  
Flowrate 5.09 Lts / sec



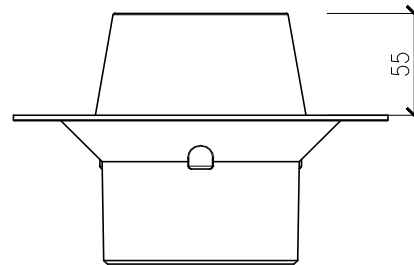
SDM038  
150mm PVC Drain  
Flowrate 11.26 Lts / sec



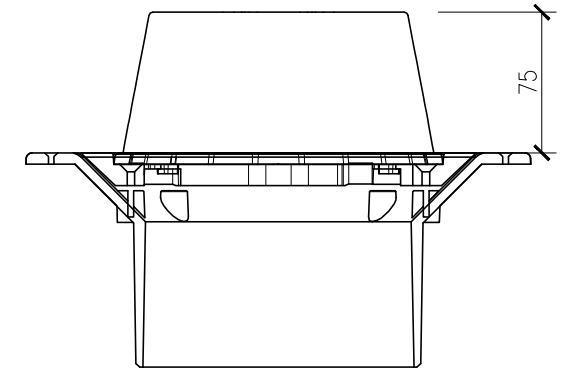
SDM033  
100mm PVC Flat Chrom Drain  
Flowrate 5.09 Lts / sec



SDM046  
80mm PVC Overflow  
Flowrate 3.26 Lts / sec



SDM047  
100mm PVC Overflow  
Flowrate 5.09 Lts / sec



SDM048  
150mm PVC Overflow  
Flowrate 11.26 Lts / sec



DRAWING TITLE

Viking Clamped Drainage  
Allproof Drains and Overflows

NOTES:

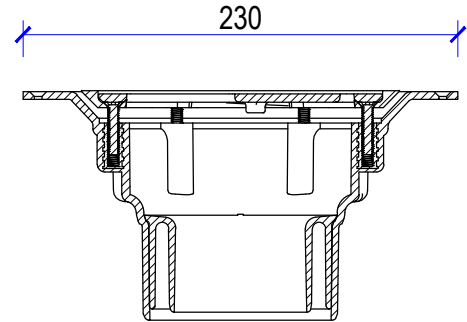
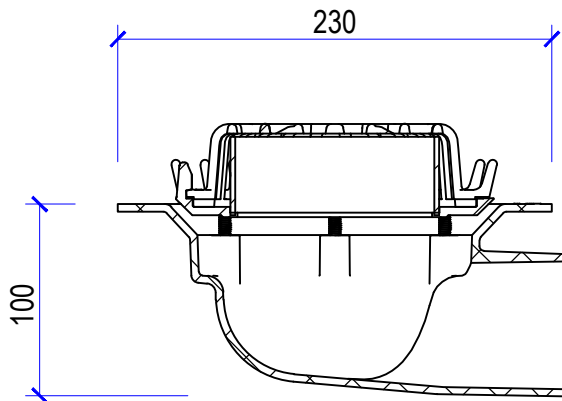
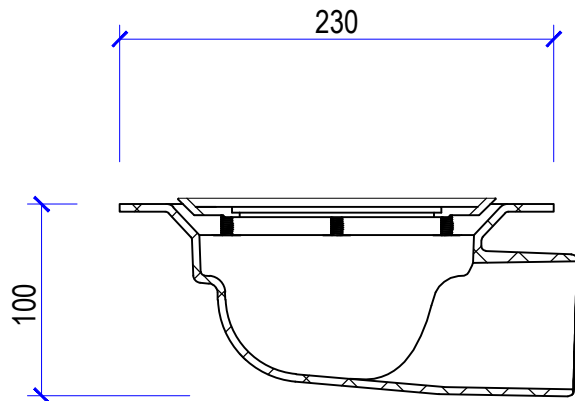
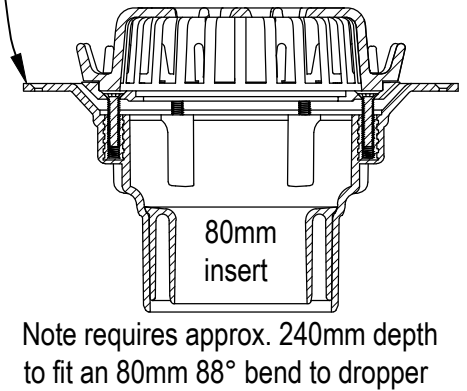
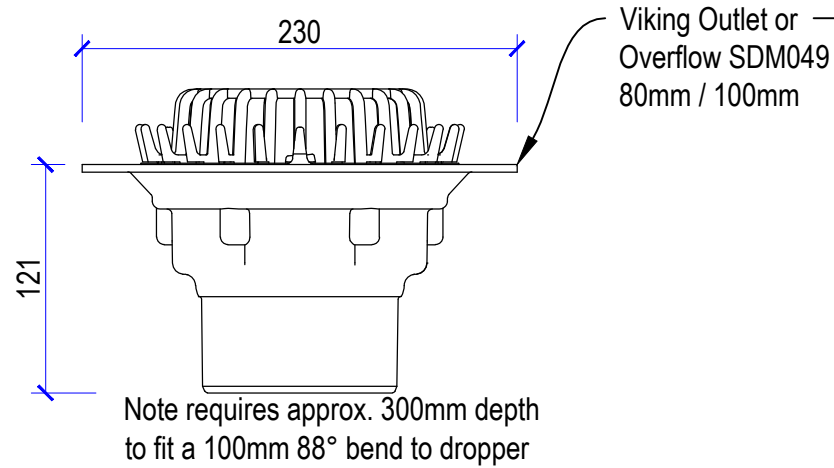
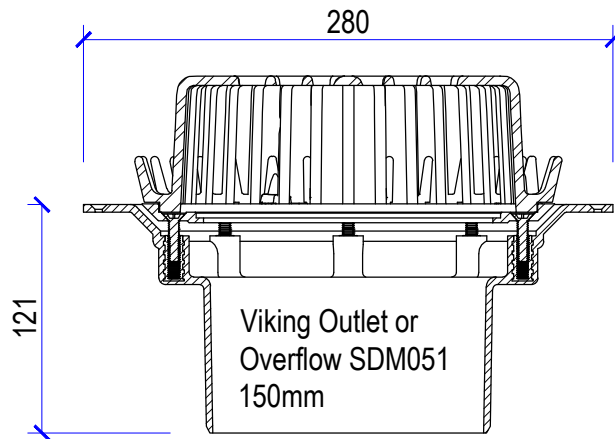
1/ Substrate Indicative Only  
2/ No fillets required at upstands  
for Dec-K-ing

DRAWING STATUS

INFORMATION ONLY

Not to Scale	DATE 23/3/2016	Detail Ref.
DRAWN	Viking	
SERIES	1.10	

Drainage A



80mm Side Exit Drain SDM056

80mm Side Exit Overflow SDM055

Viking Deck Drain SDM050  
refer SDM049 for dimensions

Flowrates in Litres / Sec		
SDM051 150mm	=	7.6
SDM049 80mm/100mm	=	3.26/5.09
SDM050 80mm/100mm	=	3.26/5.09

Note: Metal components are 304 Grade Stainless Steel

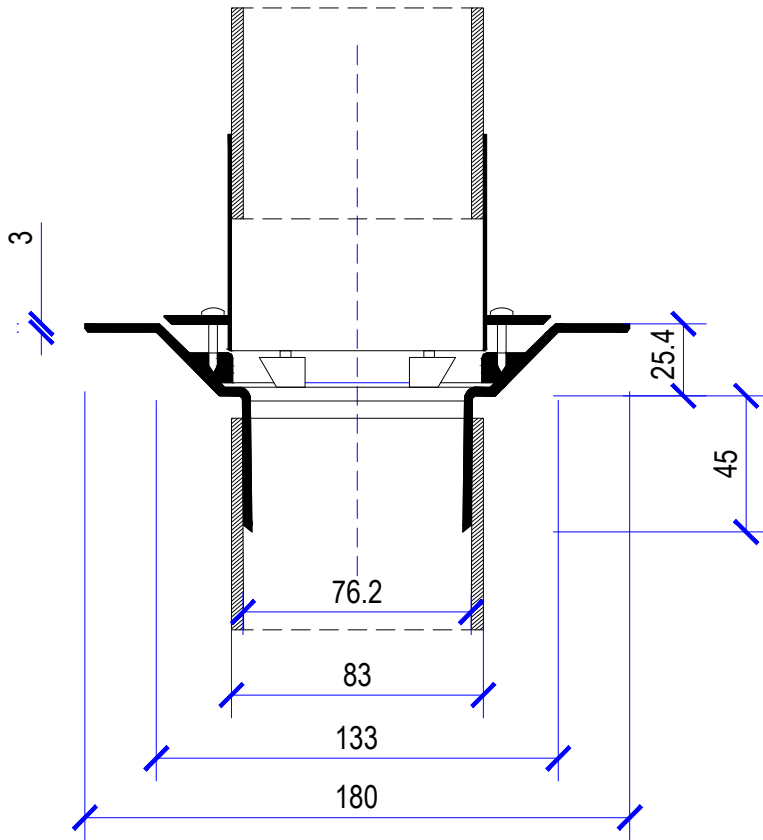


DRAWING TITLE
Viking Clamped Drainage Aquaknight Drains and Overflows

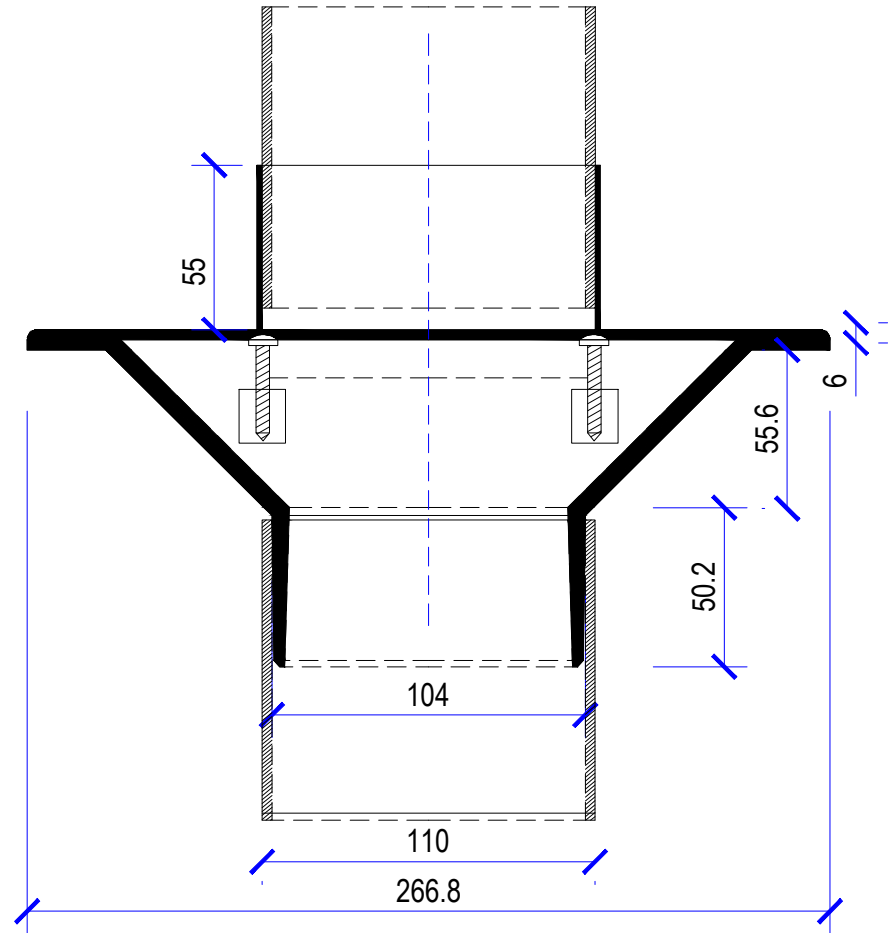
NOTES:
1/ Substrate Indicative Only 2/ No fillets required at upstands for Dec-K-ing

DRAWING STATUS		
INFORMATION ONLY		
Not to Scale	DATE 23/3/2016	Detail Ref.
DRAWN Viking		Drainage A
SERIES 1.10		

SDM057  
80mm PVC Allthrough Deck Drain

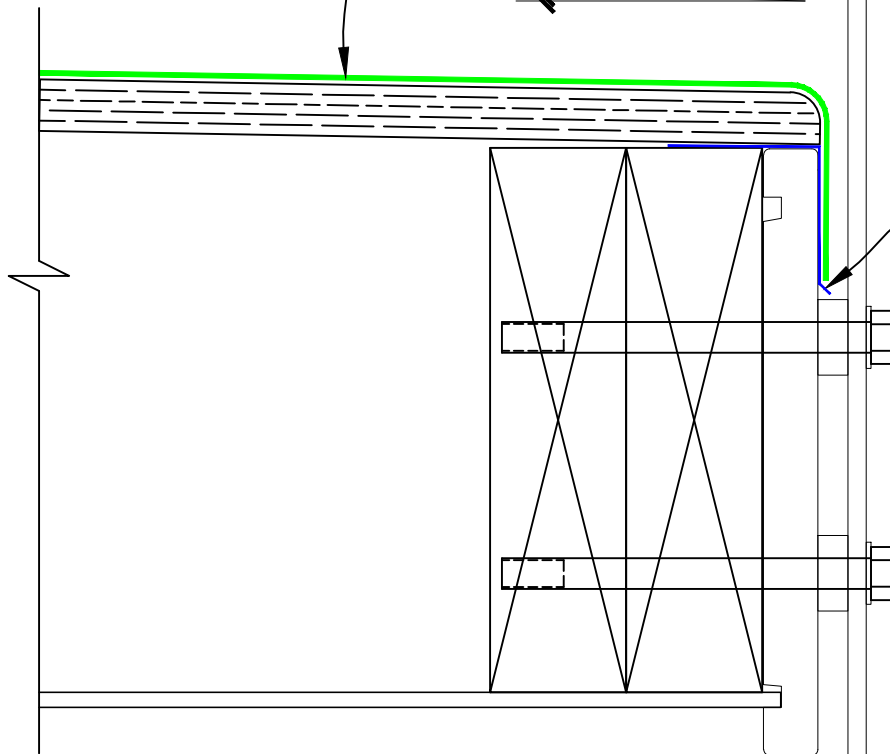


SDM058  
100mm PVC Allthrough Deck Drain



Viking Dec-K-ing  
Waterproofing deck membrane

1:40 or 1.5°

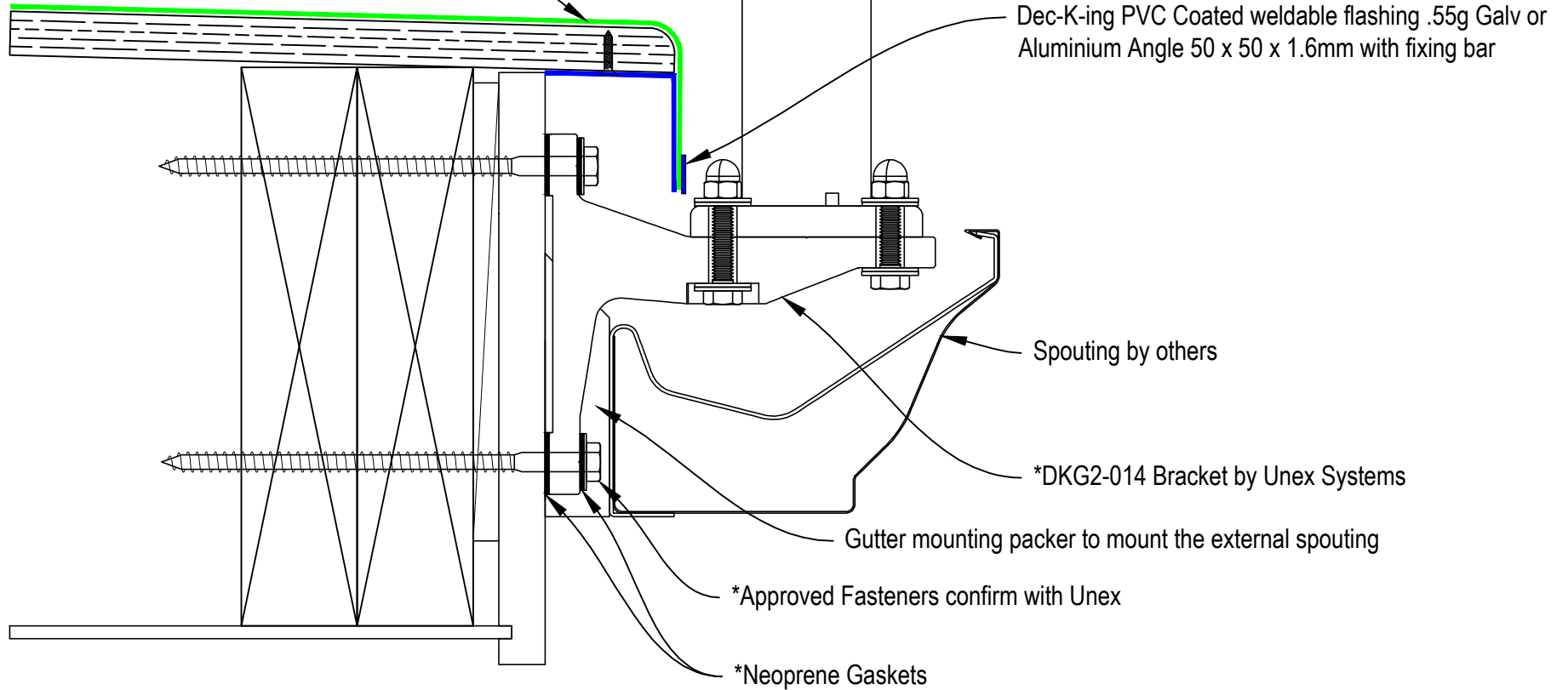


Viking Dec-K-ing weldable PVC flashing  
.55g Galv

Viking Dec-K-ing  
Waterproofing deck membrane

Balustrade post

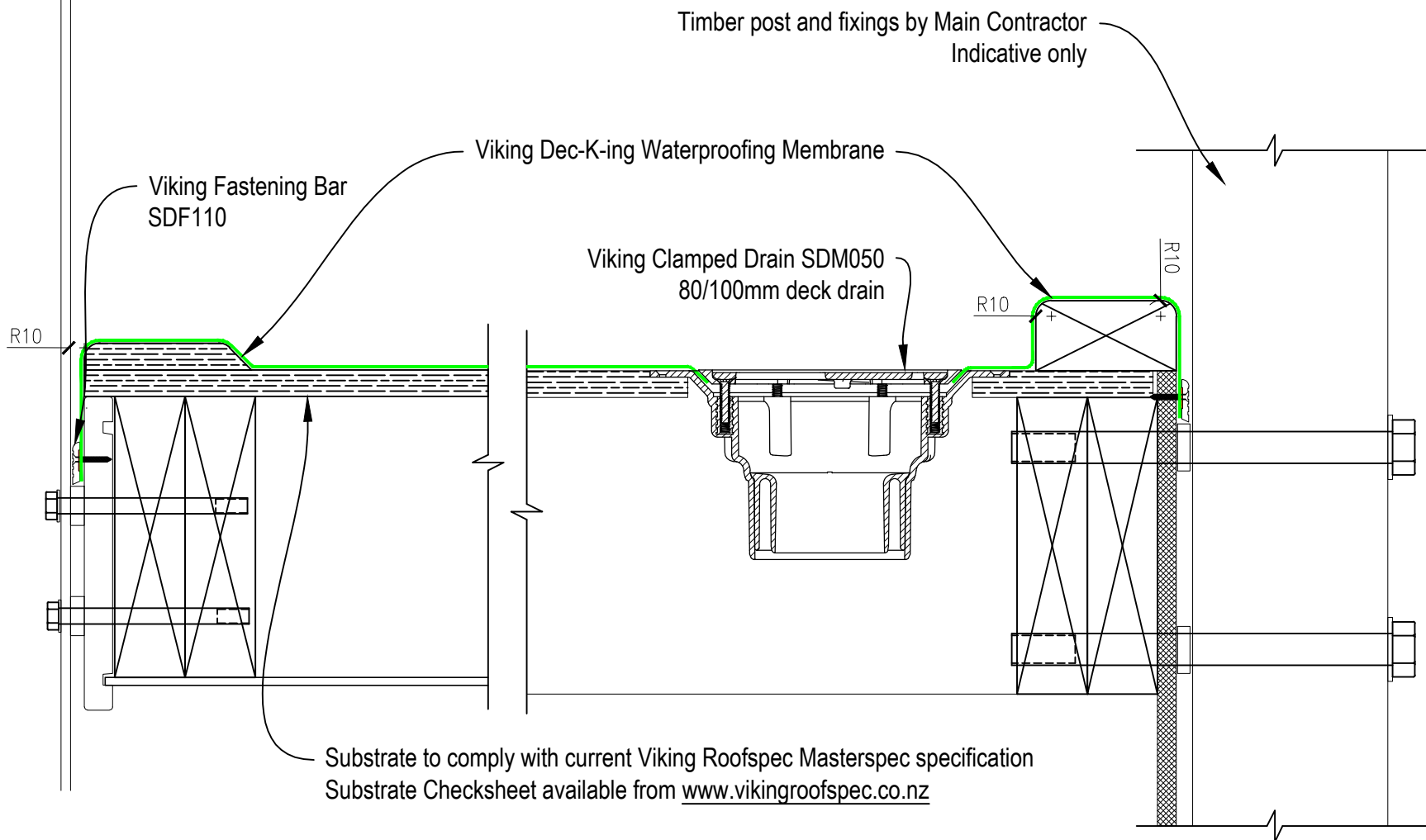
\* Unex Balustrade bracket and system  
refer to Unex Systems for complete Balustrade detail requirements  
Ph 0800 333 777 WEB: unex.co.nz



DRAWING TITLE
DK02 Dec-K-ing Drip Edge to External Spouting

NOTES:
1/ Substrate Indicative Only 2/ No fillets required at upstands for Dec-K-ing

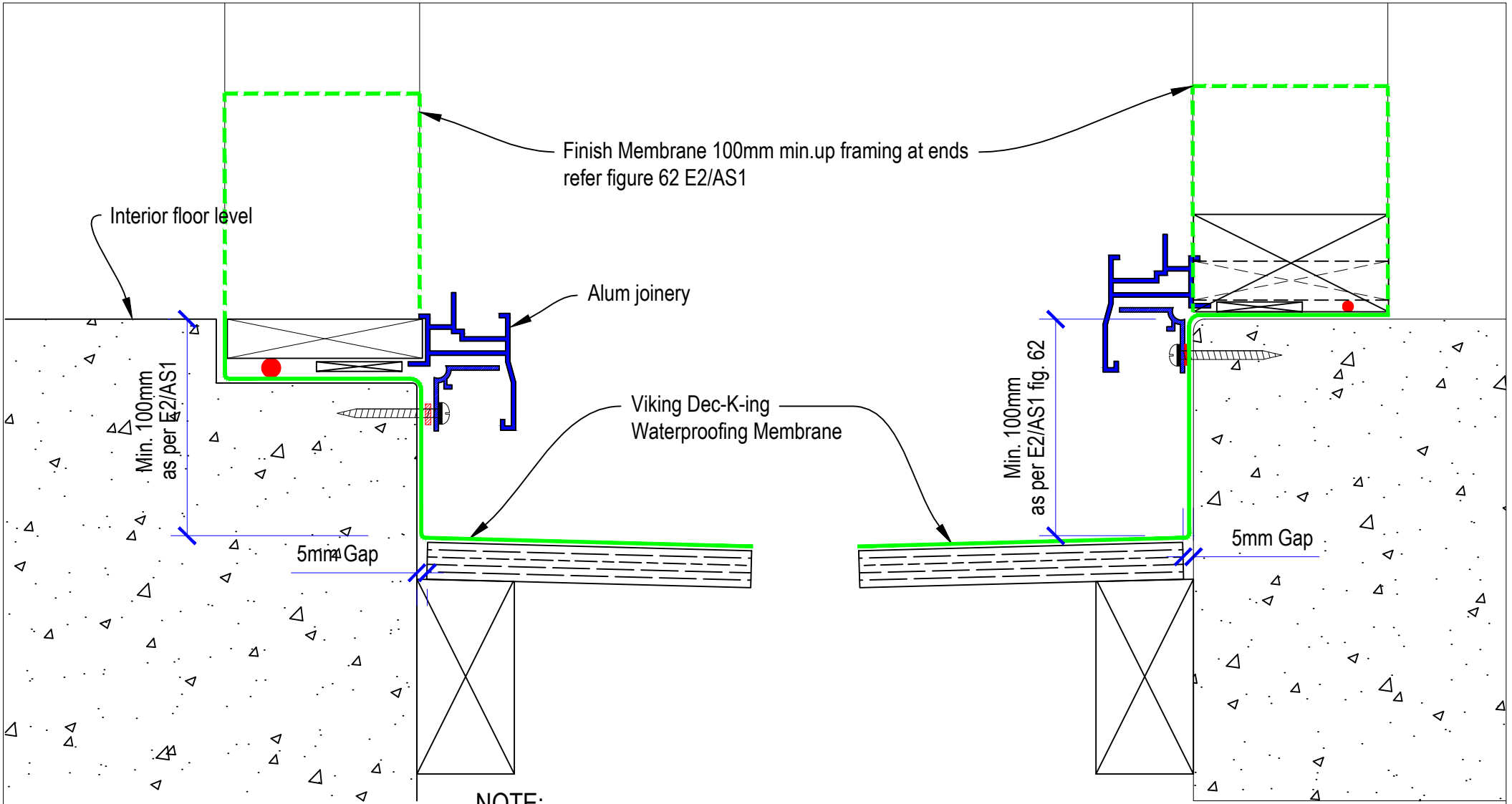
DRAWING STATUS		
INFORMATION ONLY		
Not to Scale	DATE 29/4/2015	Detail Ref.
DRAWN	Viking	DK02      A
SERIES	1.10	



DRAWING TITLE
DK03 Dec-K-ing Barge / Balustrade edge

NOTES:
1/ Substrate Indicative Only 2/ No fillets required at upstands for Dec-K-ing

DRAWING STATUS		
INFORMATION ONLY		
Not to Scale	DATE 29/4/2015	Detail Ref.
DRAWN Viking		DK03      A
SERIES	1.10	



**NOTE:**  
Dec-K-ing membrane is 1.5mm thick, as required for deck membranes E2/AS1 8.5.4

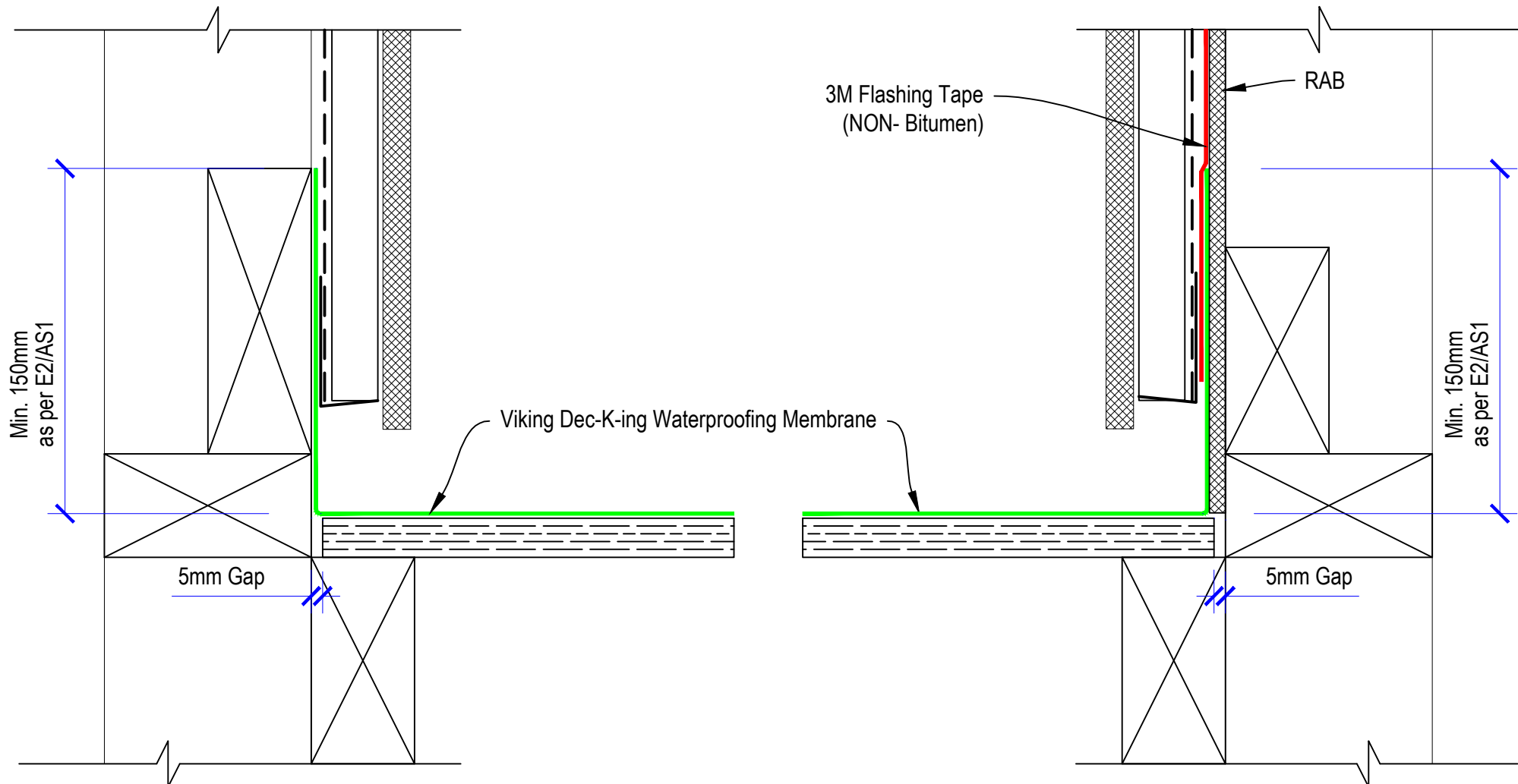


DRAWING TITLE
DK04 Dec-K-ing Door Threshold

NOTES:
1/ Substrate Indicative Only
2/ No fillets required at upstands for Dec-K-ing

DRAWING STATUS		
INFORMATION ONLY		
Not to Scale	DATE 29/4/2015	Detail Ref.
DRAWN	Viking	DK04 A
SERIES	1.10	



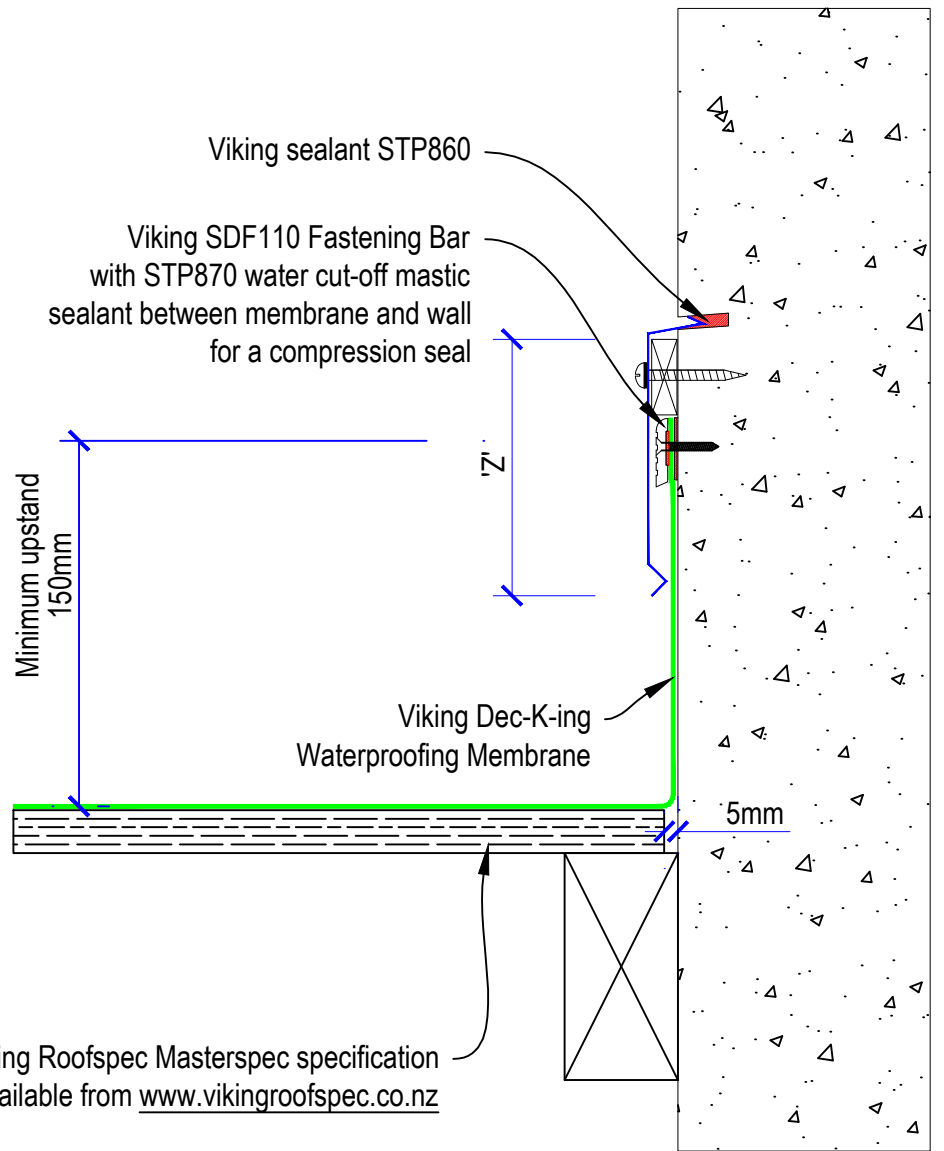
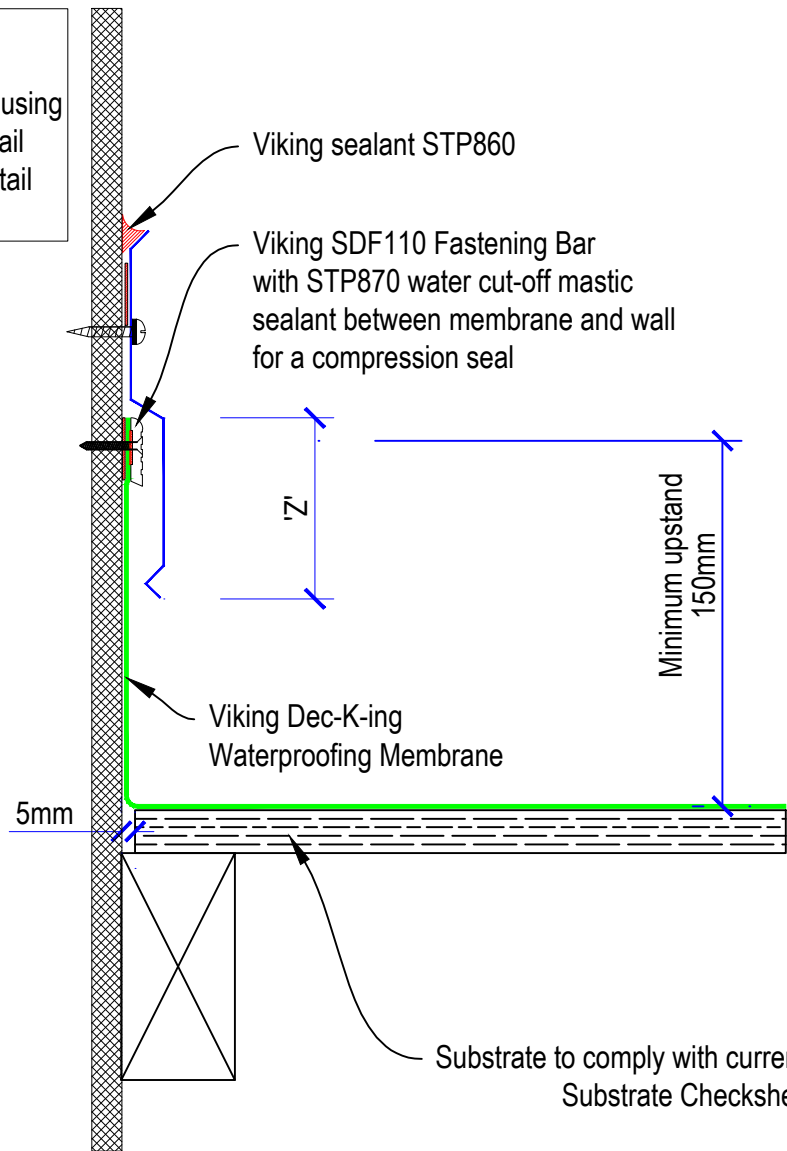


DRAWING TITLE	DK05 Dec-K-ing Cavity Upstands
---------------	-----------------------------------

NOTES:	1/ Substrate Indicative Only 2/ No fillets required at upstands for Dec-K-ing
--------	---

DRAWING STATUS			INFORMATION ONLY	
Not to Scale	DATE	Detail Ref.		
	29/4/2015	DK05 A		
DRAWN	Viking			
SERIES	1.10			

Note:  
 Viking Roofspec  
 would only advise using  
 a pressure bar detail  
 where a Chase detail  
 is not practical



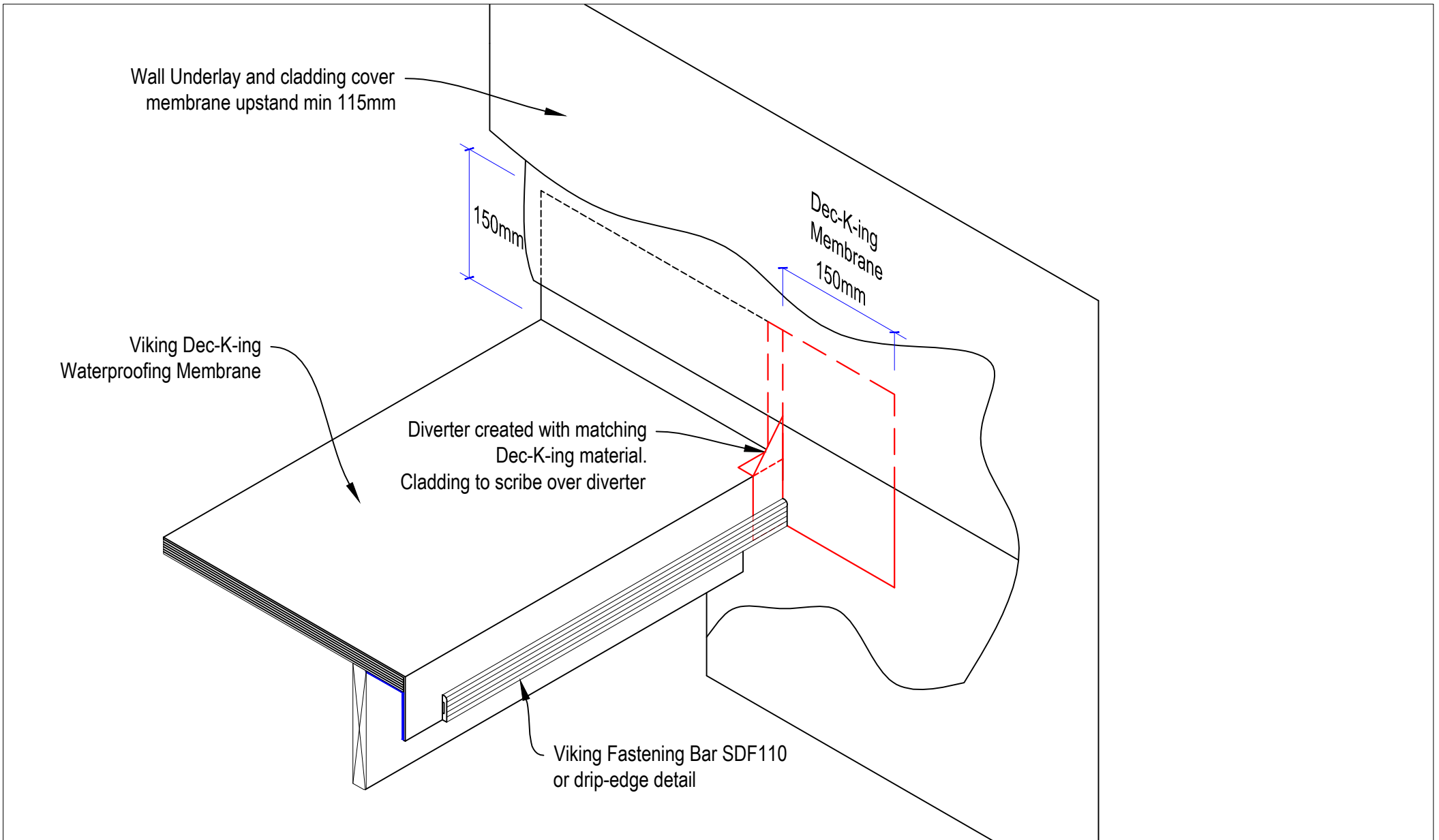
Substrate to comply with current Viking Roofspec Masterspec specification  
 Substrate Checksheet available from [www.vikingroofspec.co.nz](http://www.vikingroofspec.co.nz)



DRAWING TITLE
DK06 Dec-K-ing Chase or Face upstand

NOTES:
1/ Substrate Indicative Only 2/ No fillets required at upstands for Dec-K-ing

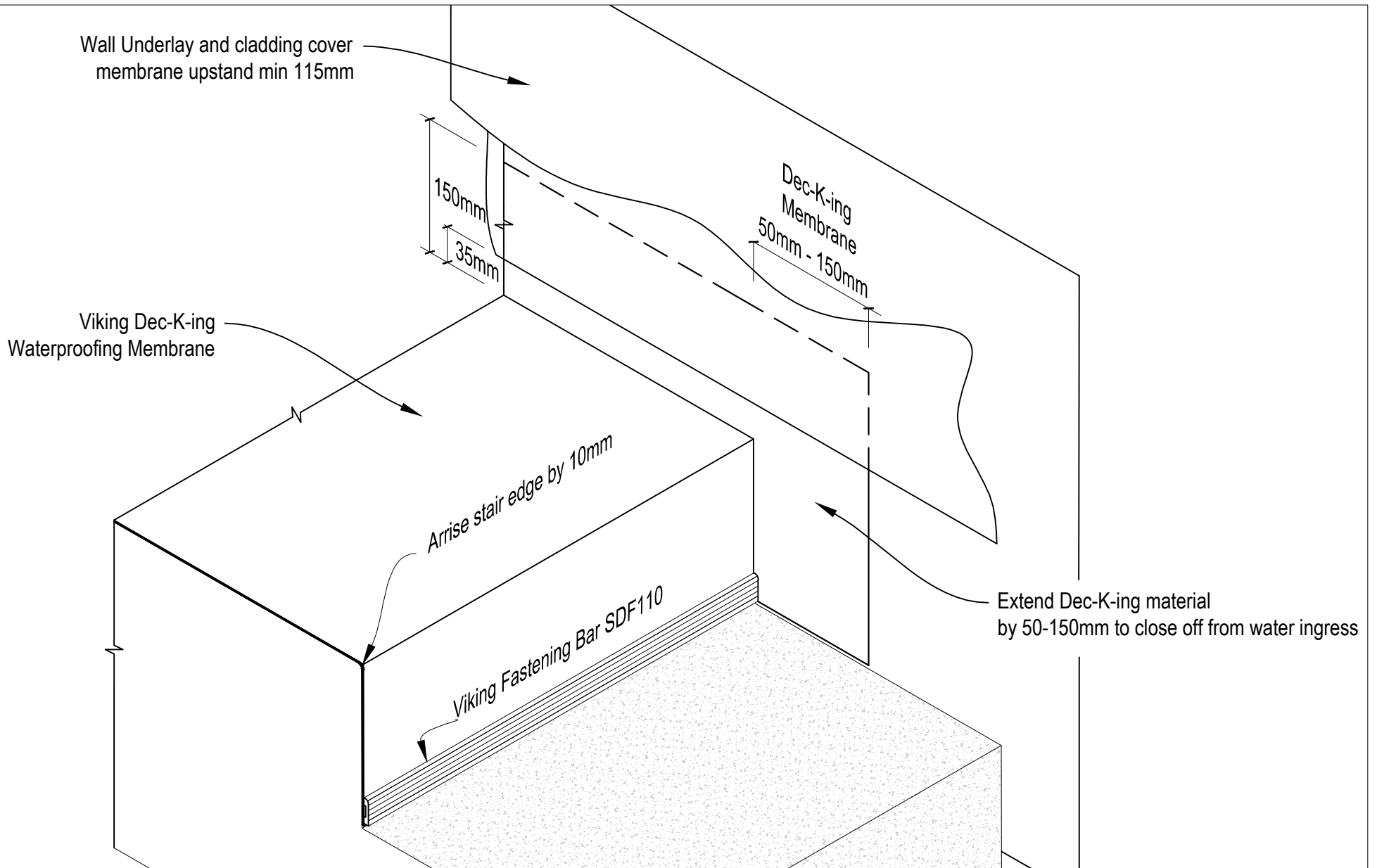
DRAWING STATUS		
<b>INFORMATION ONLY</b>		
Not to Scale	DATE 29/4/2015	Detail Ref.
DRAWN	Viking	DK06
SERIES	1.10	



DRAWING TITLE
DK07 Dec-K-ing Diverter Straight

NOTES:
1/ Substrate Indicative Only 2/ No fillets required at upstands for Dec-K-ing

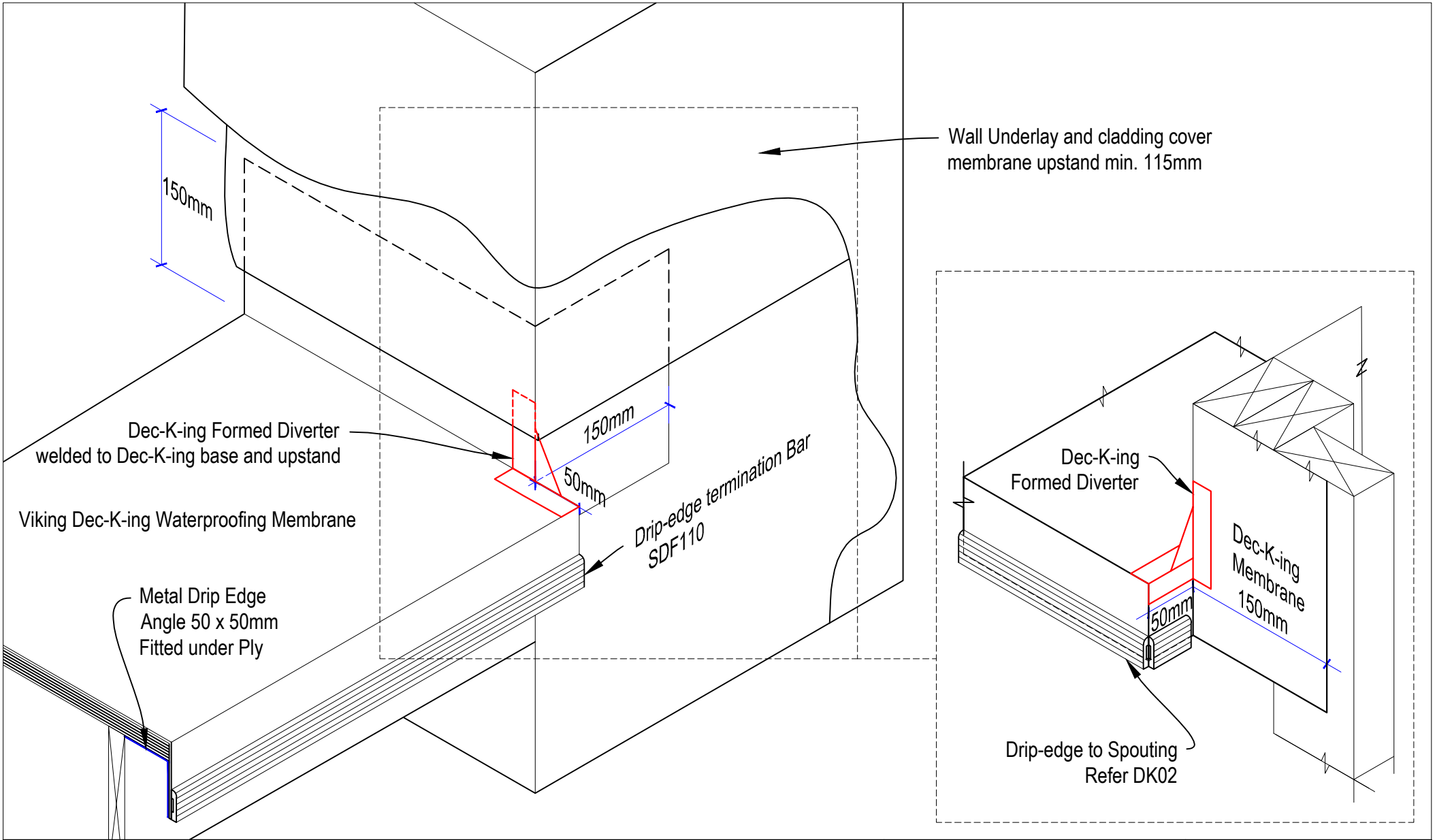
DRAWING STATUS		
INFORMATION ONLY		
Not to Scale	DATE 29/4/2015	Detail Ref.
DRAWN	Viking	DK07
SERIES	1.10	A



DRAWING TITLE
DK07A Dec-K-ing Finish over stair edge

NOTES:
1/ Substrate Indicative Only 2/ No fillets required at upstands for Dec-K-ing

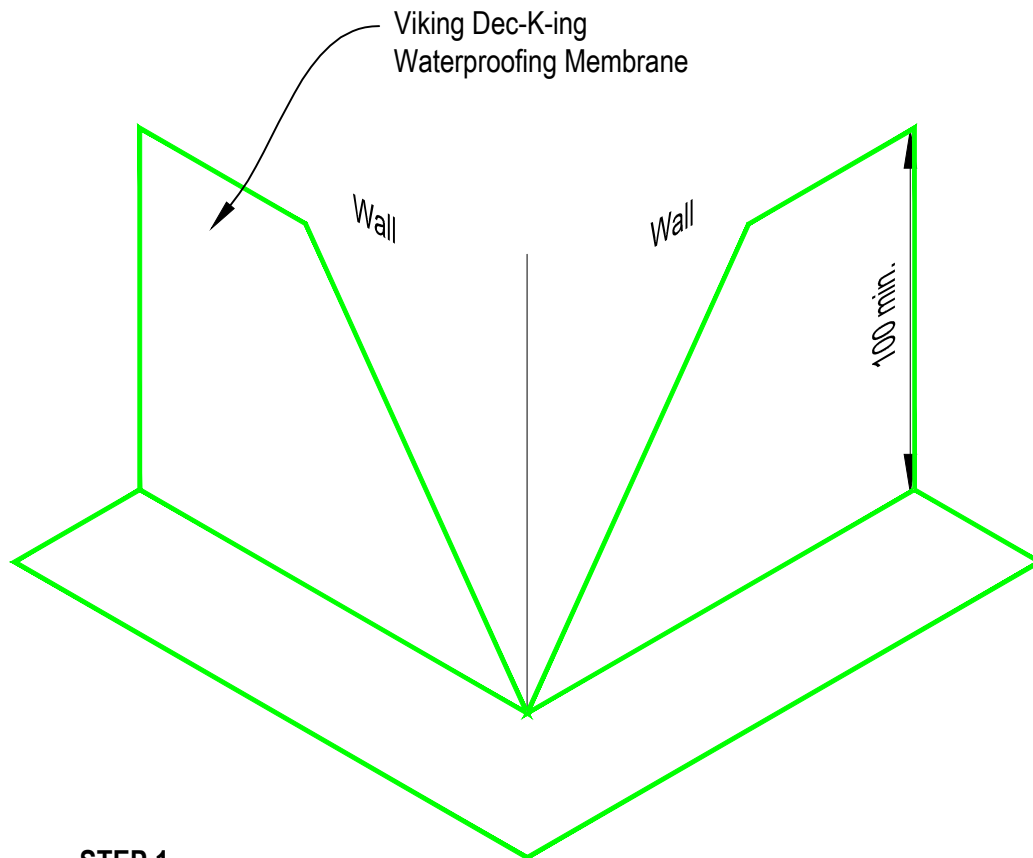
DRAWING STATUS		
INFORMATION ONLY		
Not to Scale	DATE 16/5/2019	Detail Ref.
DRAWN	Viking	DK07A    A
SERIES	1.10	



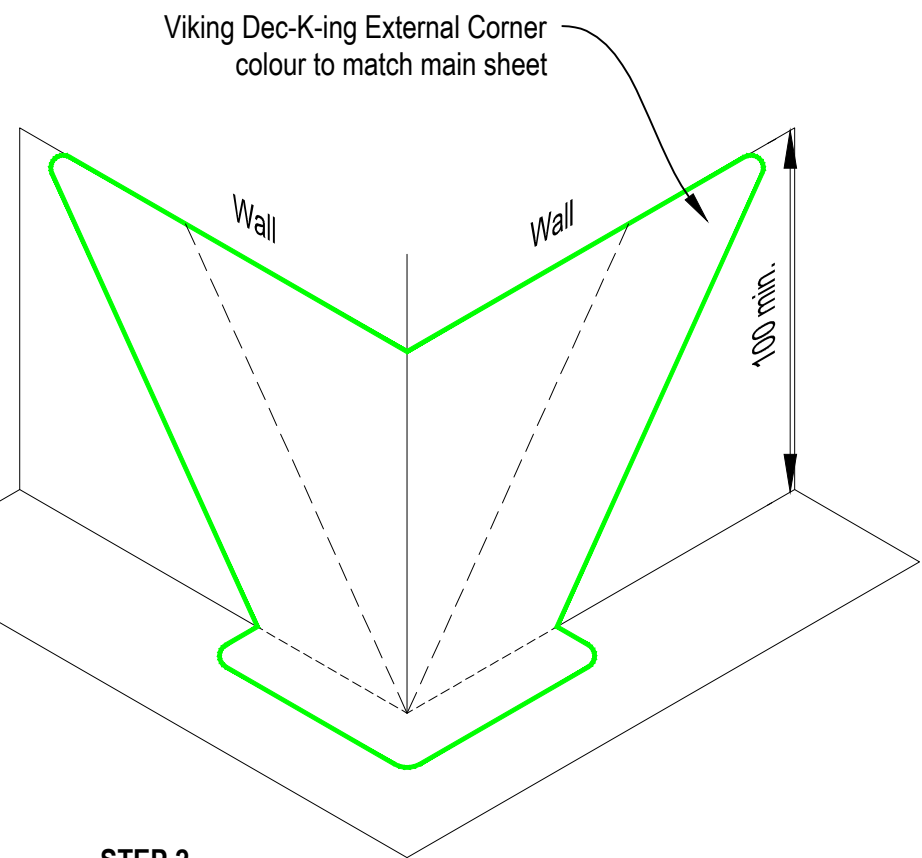
DRAWING TITLE
DK08 Dec-K-ing Diverter return

NOTES:
1/ Substrate Indicative Only 2/ No fillets required at upstands for Dec-K-ing

DRAWING STATUS		
INFORMATION ONLY		
Not to Scale	DATE 29/4/2015	Detail Ref.
DRAWN	Viking	DK08
SERIES	1.10	A



**STEP 1**  
Take Dec-K-ing membrane up wall min. 100mm and cut on 45° angle to corner



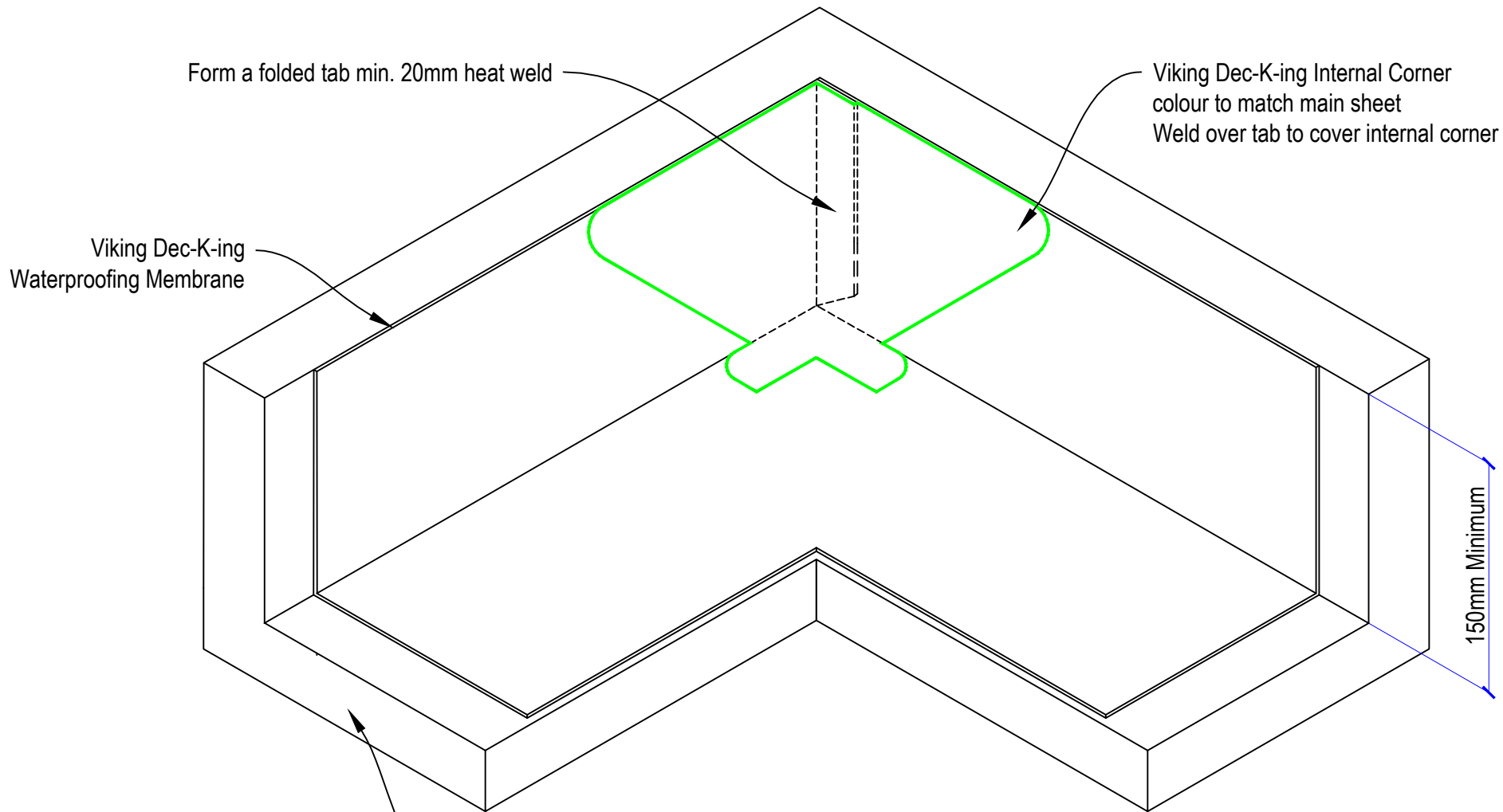
**STEP 2**  
Flash over with matching colour Dec-K-ing External Corner weld to main sheet



DRAWING TITLE
DK09 Dec-K-ing External Corner

NOTES:
1/ Substrate Indicative Only 2/ No fillets required at upstands for Dec-K-ing

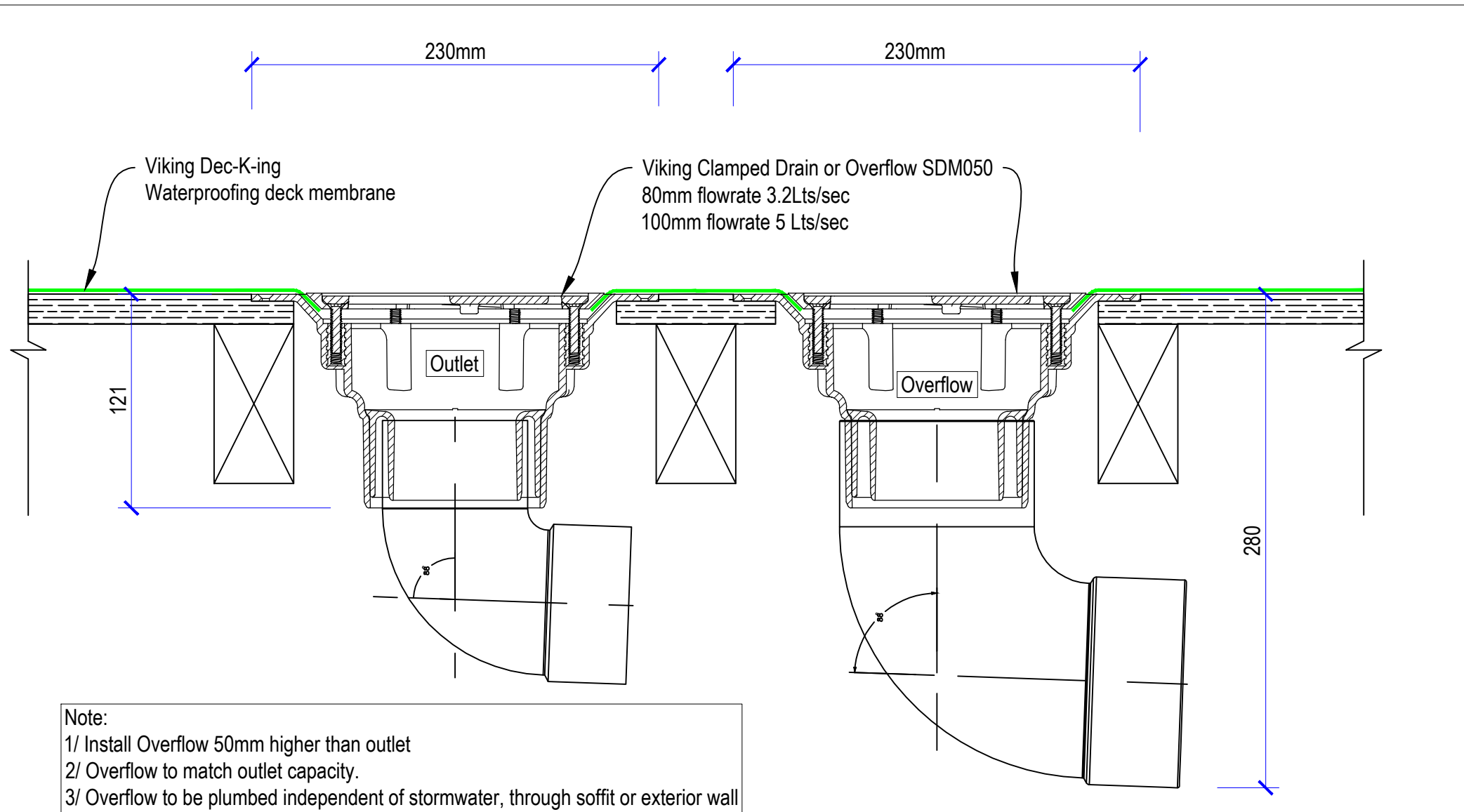
DRAWING STATUS		
INFORMATION ONLY		
Not to Scale	DATE 29/4/2015	Detail Ref.
DRAWN	Viking	DK09 A
SERIES	1.10	



Substrate to comply with current Viking Roofspec Masterspec specification  
 Substrate Checksheet available from [www.vikingroofspec.co.nz](http://www.vikingroofspec.co.nz)



DRAWING TITLE		NOTES:		DRAWING STATUS	
DK10 Dec-K-ing Internal Corner		1/ Substrate Indicative Only 2/ No fillets required at upstands for Dec-K-ing		INFORMATION ONLY	
Not to Scale	DATE 29/4/2015	Detail Ref.			
DRAWN	Viking	DK10		A	
SERIES	1.10				



Note:  
 1/ Install Overflow 50mm higher than outlet  
 2/ Overflow to match outlet capacity.  
 3/ Overflow to be plumbed independent of stormwater, through soffit or exterior wall

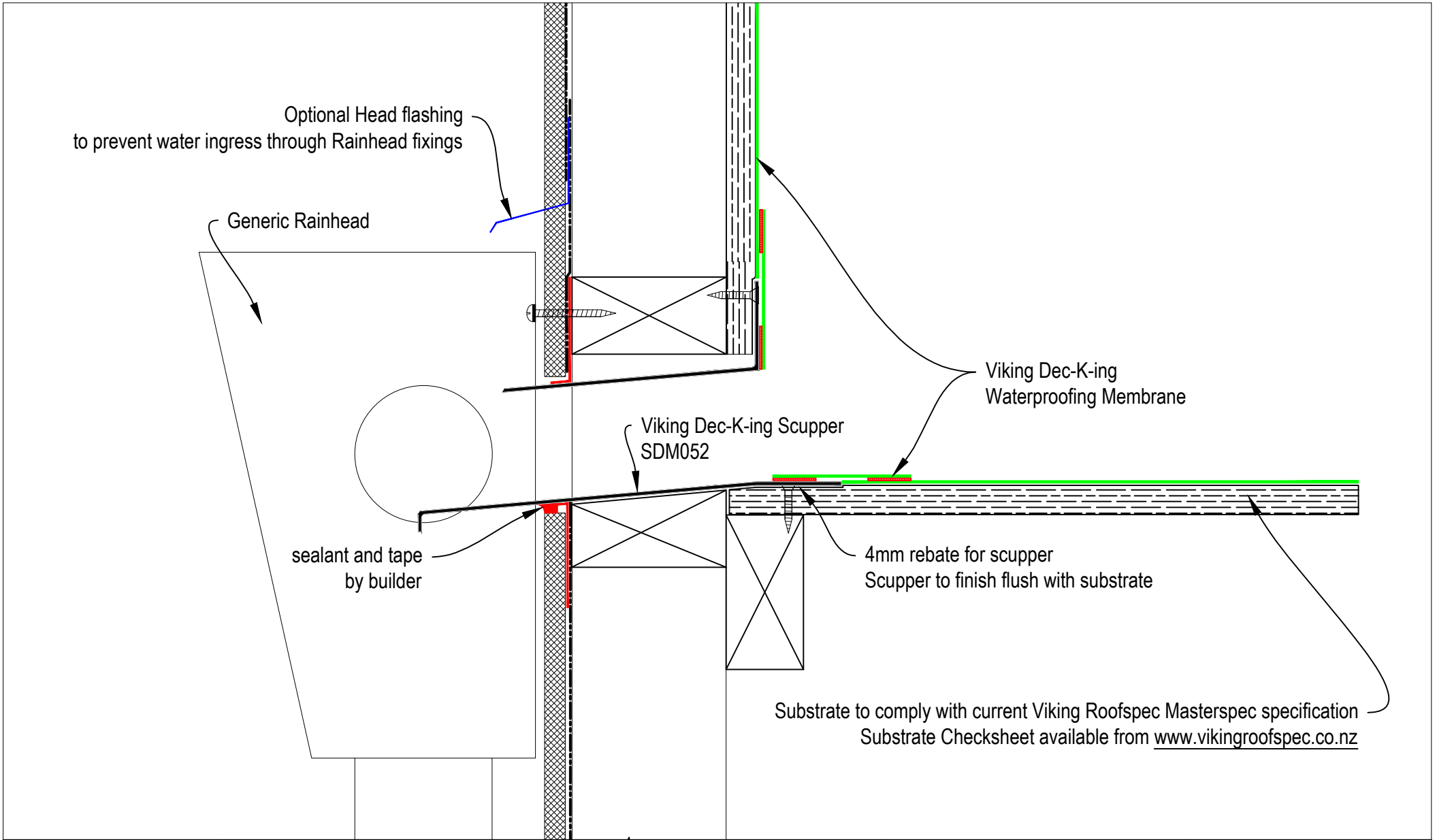


DRAWING TITLE
DK11 Dec-K-ing Outlet or Overflow

NOTES:
1/ Substrate Indicative Only 2/ No fillets required at upstands for Dec-K-ing

DRAWING STATUS		
INFORMATION ONLY		
Not to Scale	DATE 29/4/2015	Detail Ref.
DRAWN Viking		DK11 A
SERIES 1.10		





DRAWING TITLE
DK12 Dec-K-ing Scupper

NOTES:
1/ Substrate Indicative Only 2/ No fillets required at upstands for Dec-K-ing

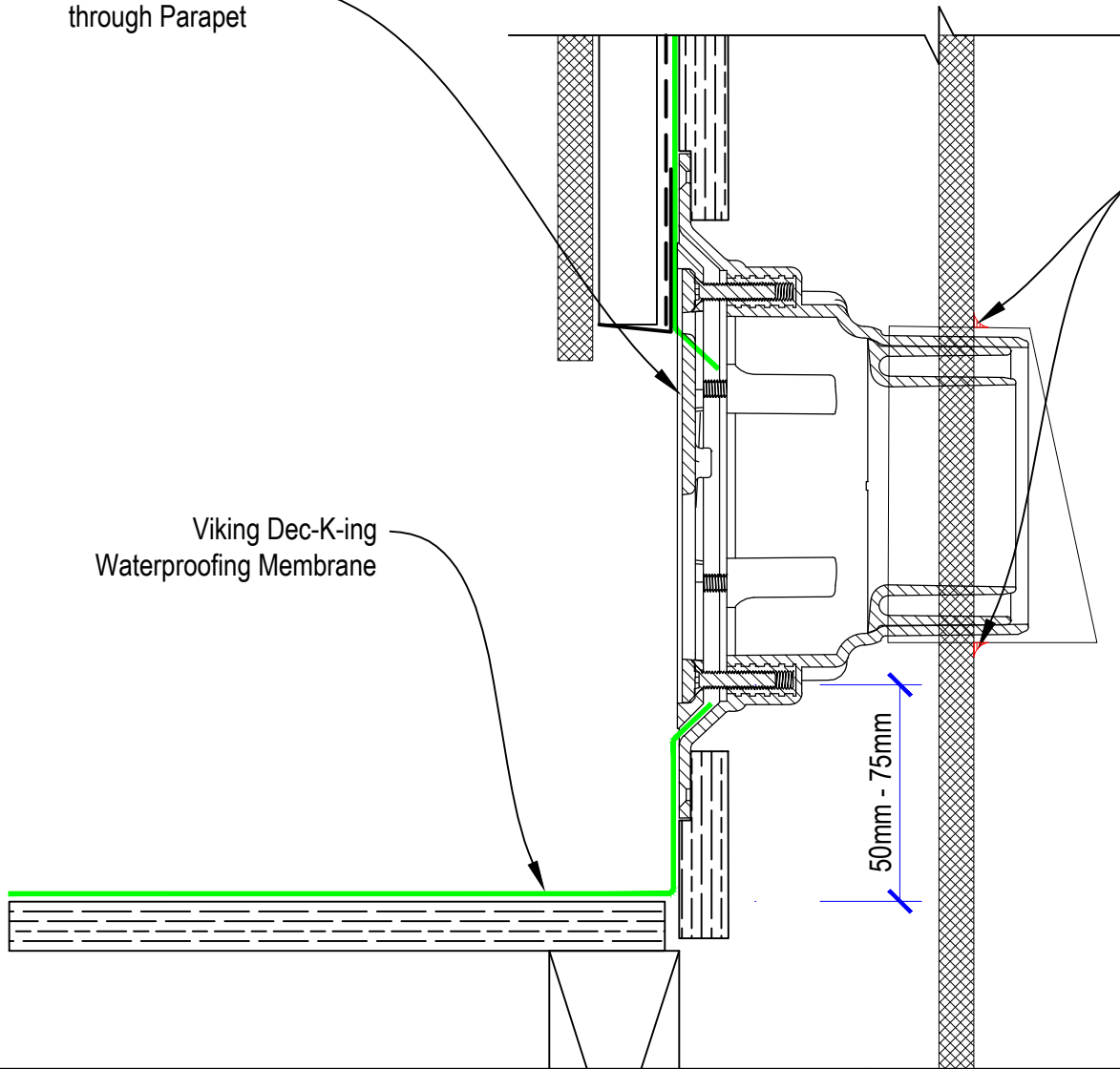
DRAWING STATUS		
INFORMATION ONLY		
Not to Scale	DATE 29/4/2015	Detail Ref.
DRAWN	Viking	DK12 A
SERIES	1.10	

Viking Clamped drain as overflow through Parapet

Sealant to cladding by builder

Viking Dec-K-ing Waterproofing Membrane

50mm - 75mm

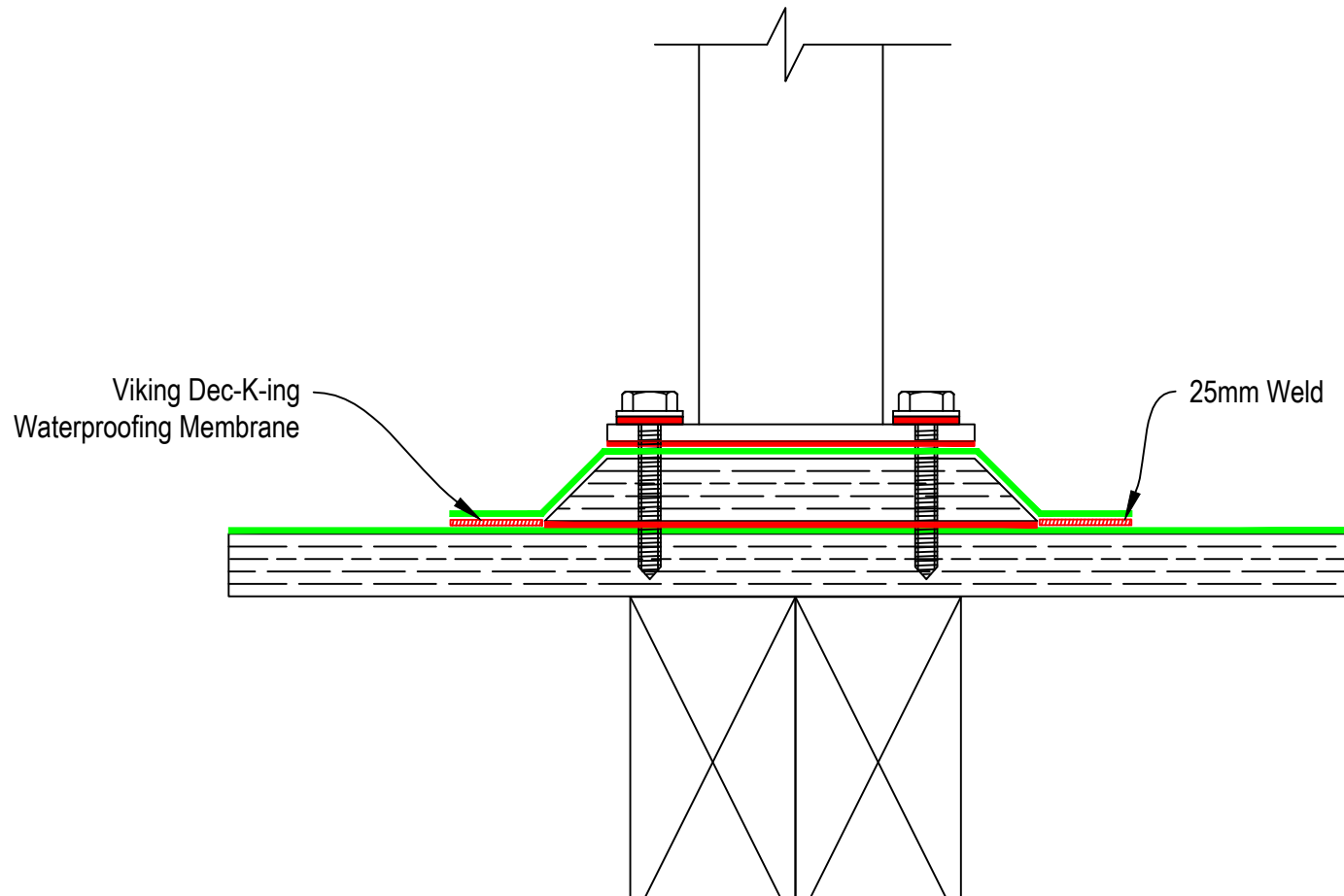


DRAWING TITLE	DK13 Dec-K-ing Parapet Overflow
---------------	------------------------------------

NOTES:	1/ Substrate Indicative Only 2/ No fillets required at upstands for Dec-K-ing
--------	---

DRAWING STATUS			INFORMATION ONLY	
Not to Scale	DATE 29/4/2015	Detail Ref.		
DRAWN	Viking	DK13	A	
SERIES	1.10			

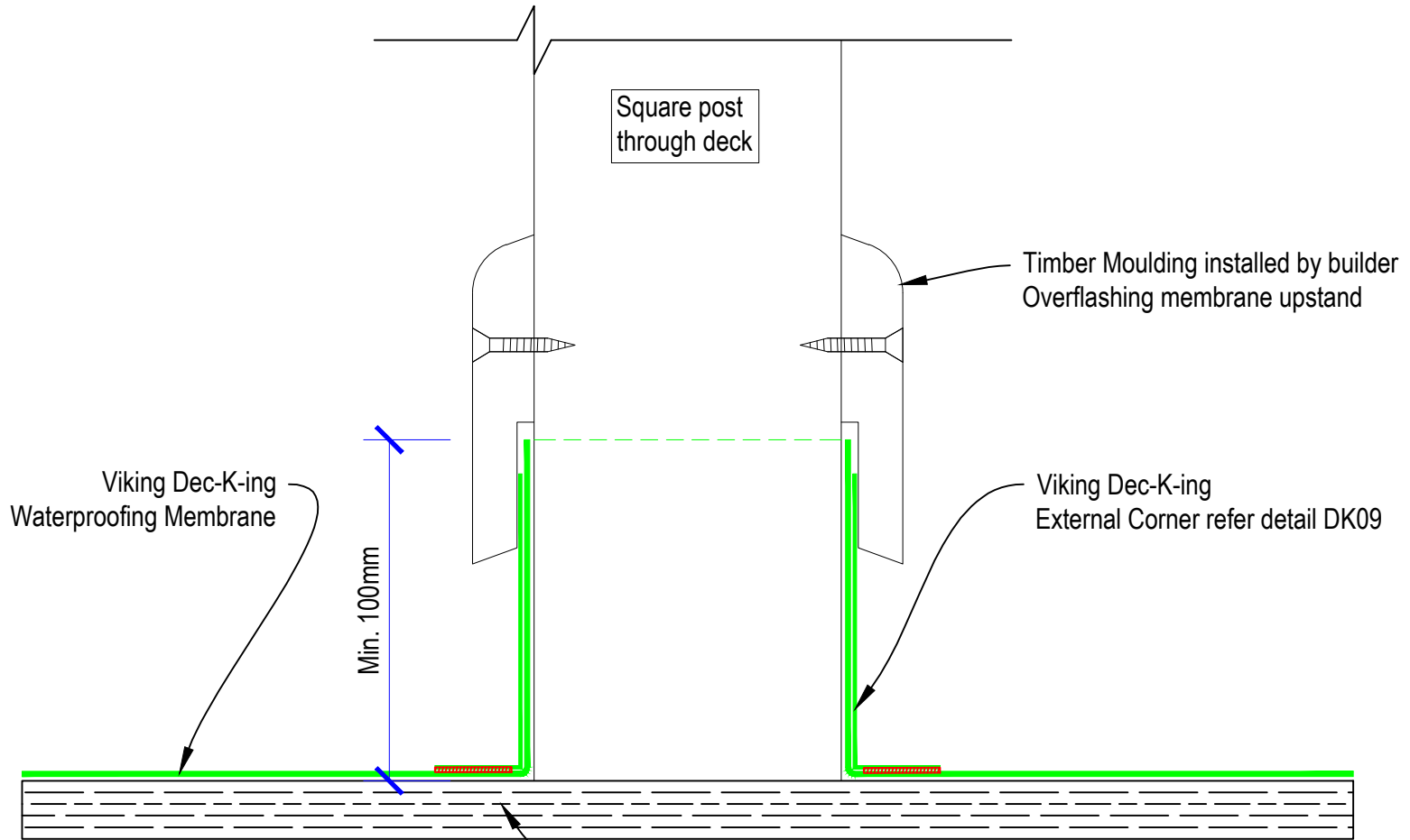
Although Viking Roofspec do not recommend fixing posts or plant through the top of Membrane roofs or decks if this is required then use of a plinth detail provides that fixings by other trades are keep off the main deck area. Viking Roofspec recommend that any fixing of posts or plant is kept independent of the membrane roof/deck ideally through vertical surfaces such as parapets or deck edges. All fixings should be sealed and shrouded. Note: Viking Roofspec or our Approved Applicators do not warranty fixings installed by other trades.



DRAWING TITLE
DK14 Dec-K-ing Plinth

NOTES:
1/ Substrate Indicative Only 2/ No fillets required at upstands for Dec-K-ing

DRAWING STATUS		
INFORMATION ONLY		
Not to Scale	DATE 29/4/2015	Detail Ref.
DRAWN	Viking	DK14      A
SERIES	1.10	



Substrate to comply with current Viking Roofspec Masterspec specification  
 Substrate Checksheet available from [www.vikingroofspec.co.nz](http://www.vikingroofspec.co.nz)



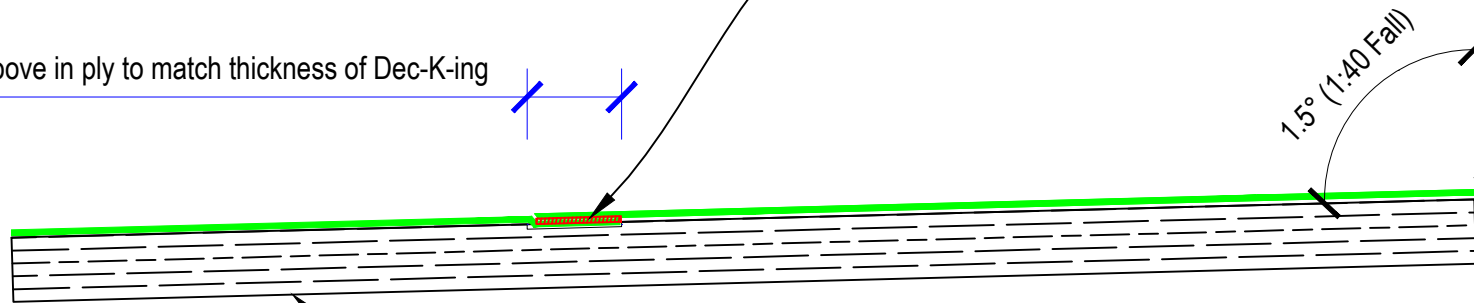
DRAWING TITLE	
DK15 Dec-K-ing Square Post	

NOTES:
1/ Substrate Indicative Only 2/ No fillets required at upstands for Dec-K-ing

DRAWING STATUS		
INFORMATION ONLY		
Not to Scale	DATE 29/4/2015	Detail Ref.
DRAWN	Viking	DK15 A
SERIES	1.10	

25mm Routed groove in ply to match thickness of Dec-K-ing

Viking Dec-K-ing Waterproofing Membrane  
Upper sheet overlaps lower sheet at recess  
to allow a 20mm hot welded flush seam



Substrate to comply with current Viking Roofspec Masterspec specification  
Substrate Checksheet available from [www.vikingroofspec.co.nz](http://www.vikingroofspec.co.nz)



DRAWING TITLE
DK16 Dec-K-ing Welded Flush join in Ply only

NOTES:
1/ Substrate Indicative Only 2/ No fillets required at upstands for Dec-K-ing

DRAWING STATUS		
INFORMATION ONLY		
Not to Scale	DATE 29/4/2015	Detail Ref.
DRAWN	Viking	DK15      A
SERIES	1.10	

Minimum 10mm Radius to all External corners

'Z' = variable according to wind zone, refer table 7 E2/AS1

MIN 5°

'Z'

Viking Fastening Bar SDF110  
must install if no Metal Cap

Viking Dec-K-ing  
Waterproofing Membrane

5mm Gap

Substrate to comply with current Viking Roofspec Masterspec specification  
Substrate Checksheet available from [www.vikingroofspec.co.nz](http://www.vikingroofspec.co.nz)



DRAWING TITLE

DK17 Dec-K-ing  
Parapet

NOTES:

- 1/ Substrate Indicative Only
- 2/ No fillets required at upstands  
for Dec-K-ing

DRAWING STATUS

INFORMATION ONLY

Not to Scale

DATE

29/4/2015

Detail Ref:

DRAWN

Viking

DK17

A

SERIES

1.10

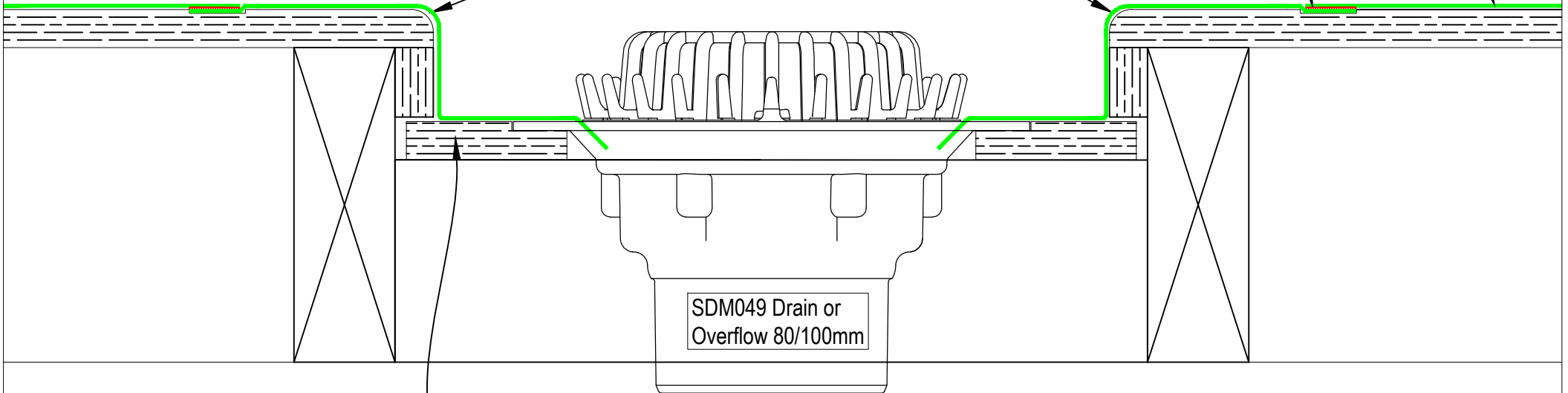
It is Viking Roofspecs view that Internal Gutters can be eliminated in most cases.  
 In doing so you may reduce overall heights or increase roof / deck falls while also reducing risk and detail.  
 To find out more contact Viking Roofspec Technical 0800 729-799

\*E2/AS1 Min. falls for gutters = 1:100

Viking Dec-K-ing  
 Waterproofing Membrane

Rebated flush Joint in plywood substrate  
 25mm Weld

Minimum 10mm Radius to all external edges



Substrate to comply with current Viking Roofspec Masterspec specification  
 Substrate Checksheet available from [www.vikingroofspec.co.nz](http://www.vikingroofspec.co.nz)



DRAWING TITLE

DK17A Dec-K-ing  
 Internal Gutter

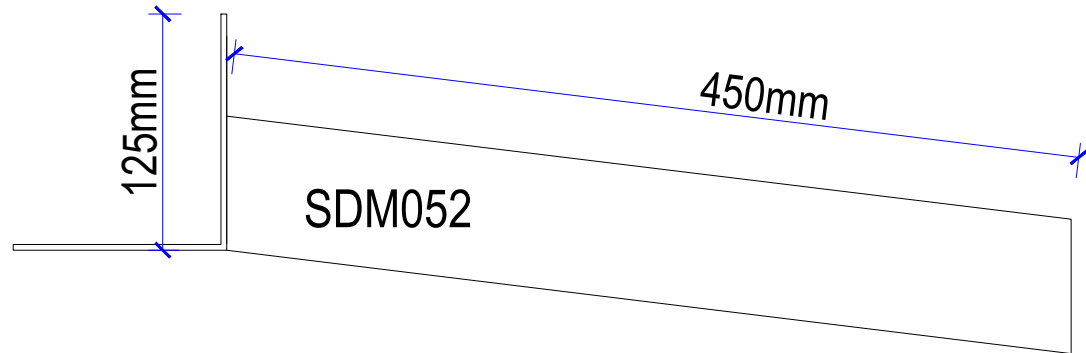
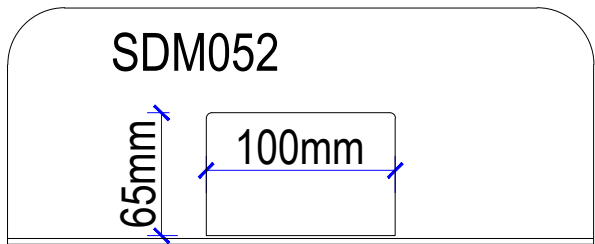
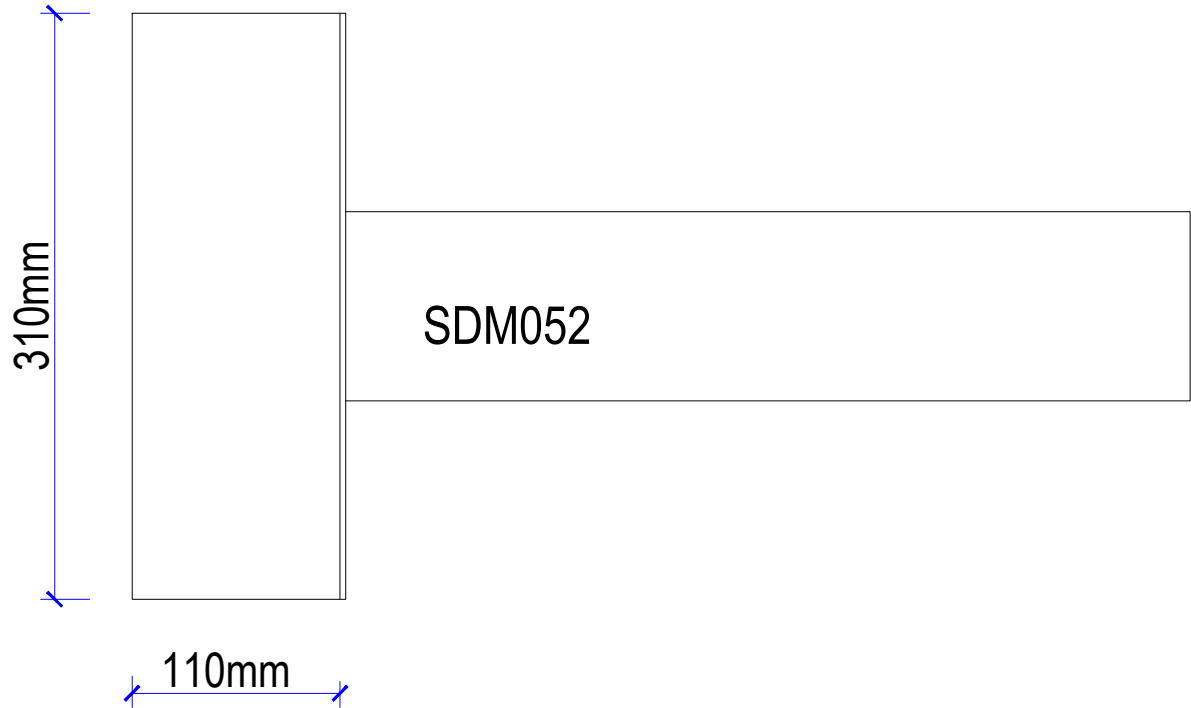
NOTES:

- 1/ Substrate Indicative Only
- 2/ No fillets required at upstands for Dec-K-ing

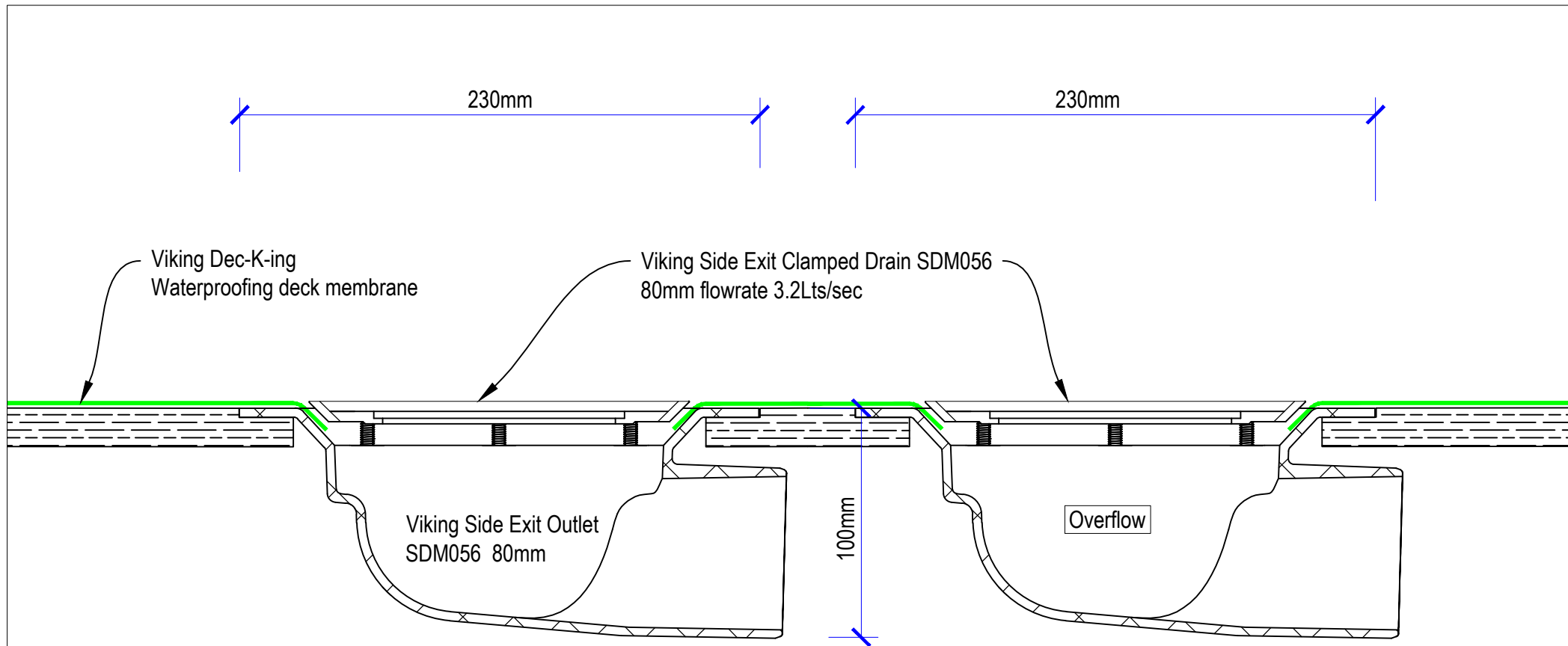
DRAWING STATUS

INFORMATION ONLY

Not to Scale	DATE 21/6/2019	Detail Ref.
DRAWN	Viking	DK17A A
SERIES	1.10	







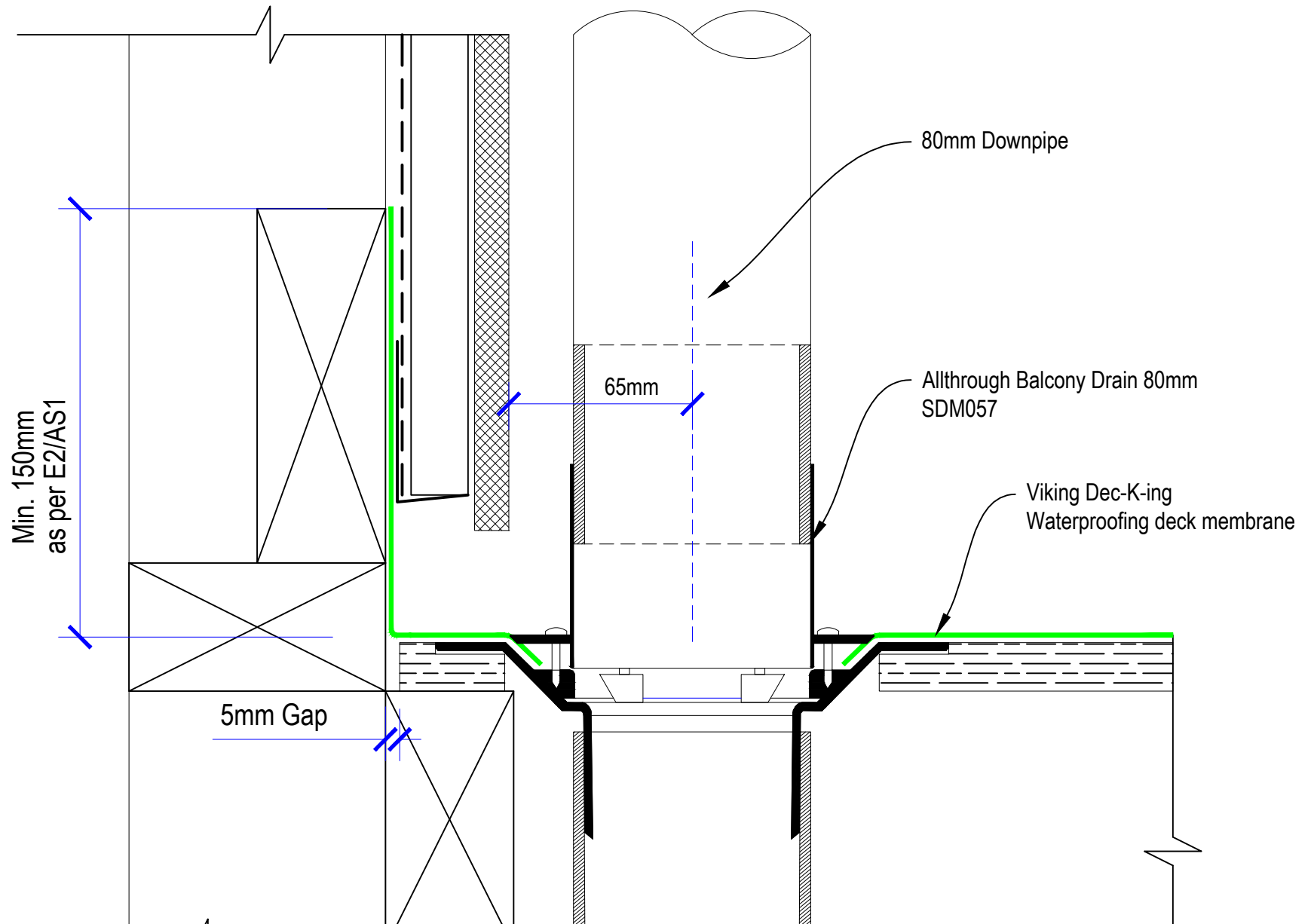
**Note:**  
 1/ Install Overflow 50mm higher than outlet  
 2/ Overflow to match outlet capacity.  
 3/ Overflow to be plumbed independent of stormwater, through soffit or exterior wall



DRAWING TITLE
Viking Dec-K-ing Deck Side Exit Deck Drain and Overflow

NOTES:
1/ Substrate Indicative Only 2/ No fillets required at upstands for Dec-K-ing

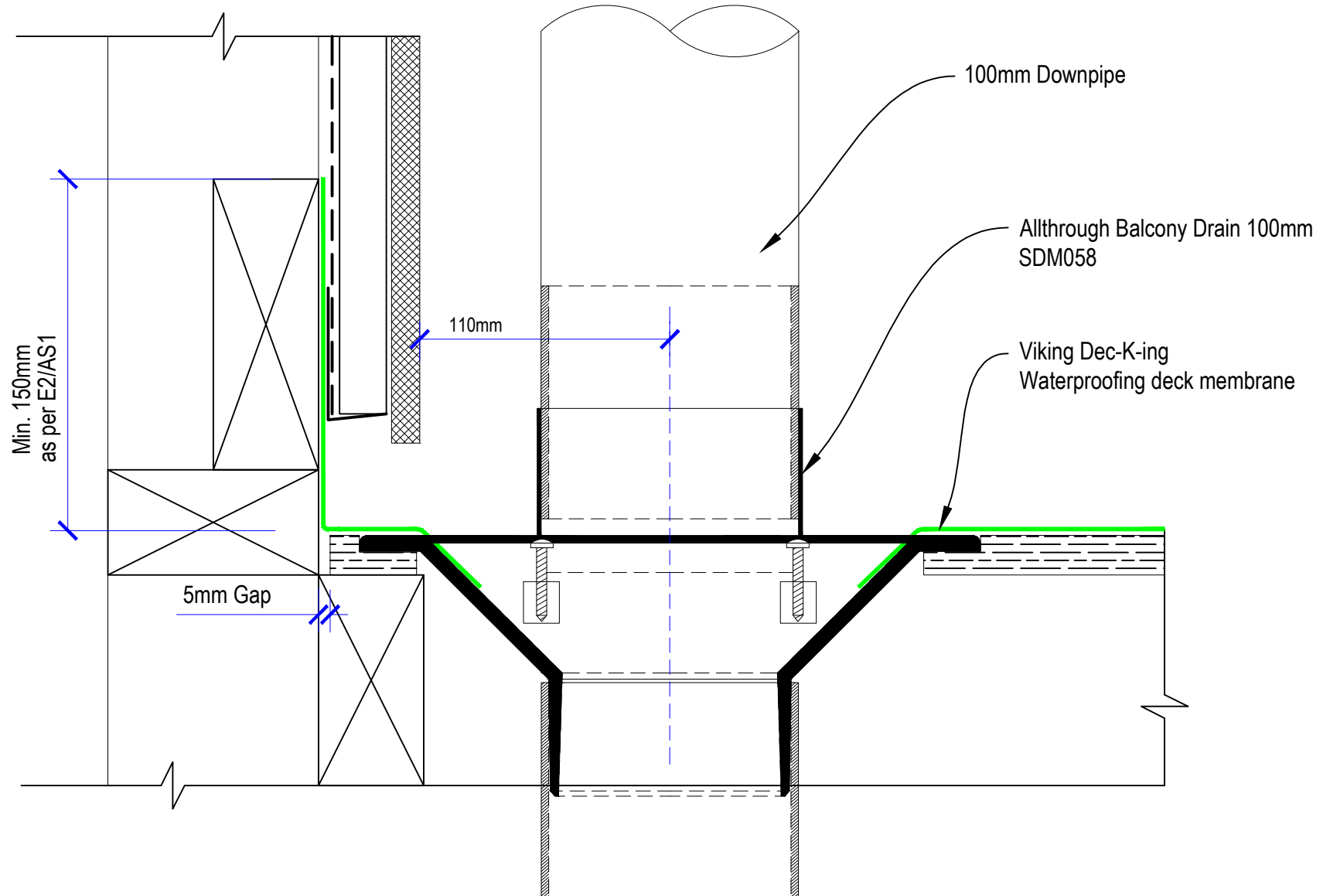
DRAWING STATUS		
INFORMATION ONLY		
Not to Scale	DATE 01/05/2018	Detail Ref.
DRAWN	Viking	DK19      A
SERIES	1.10	



DRAWING TITLE
Viking Dec-K-ing Balcony Allthrough Drain

NOTES:
1/ Substrate Indicative Only 2/ No fillets required at upstands for Dec-K-ing

DRAWING STATUS		
INFORMATION ONLY		
Not to Scale	DATE 01/05/2018	Detail Ref.
DRAWN	Viking	DK20
SERIES	1.10	A



DRAWING TITLE
Viking Dec-K-ing 100mm Balcony Allthrough Drain SDM058

NOTES:
1/ Substrate Indicative Only 2/ No fillets required at upstands for Dec-K-ing

DRAWING STATUS		
INFORMATION ONLY		
Not to Scale	DATE 01/05/2018	Detail Ref.
DRAWN Viking		DK20A    A
SERIES	1.10	