

Viking Landmark

Version 1.0

INTRODUCTION

The Landmark reflects the same high manufacturing standards and superior warranty protection as the rest of CertainTeed’s line of roofing products. Landmark shingles are built with the industry’s toughest fiberglass mat base, and their strict dimensional tolerance assures consistency. Complex granule colour blends and subtle shadow lines produce a distinctive colour selection.

Landmark is produced with the new nailing feature WideTrack QB which allows greater accuracy for fixings.

Landmark Series shingles are composed of fibreglass mat base. Ceramic-coated mineral granules are tightly embedded in carefully refined, water-resistant asphalt. Two pieces of the shingle are firmly laminated together in a special tough asphaltic cement. All Landmark shingles have self-sealing adhesive strips.

PROPERTIES

Landmark Series shingles are composed of fibreglass mat base. Ceramic-coated mineral granules are tightly embedded in carefully refined, water-resistant asphalt. Two pieces of the shingle are firmly laminated together in a special tough asphaltic cement. All Landmark shingles have self-sealing adhesive strips.



Figure 1

Standard Colours	Product Code	Install coverage
Weathered Wood	DDB005	3.09m ²
Moire Black	DDB015	3.09m ²
Heather Blend	DDB025	3.09m ²
Georgetown Grey	DDB035	3.09m ²
Burnt Sienna	DDB045	3.09m ²
Medium Bronze	DDB055	3.09m ²

APPLICABLE STANDARDS

ASTM D 3018 Type 1

ASTM D 3462

ASTM E 108 Fire Resistance: Class A

ASTM D 3161 Class F Wind Resistance

BRANZ Appraisal Certificate No 276

UL 790 Fire Resistance: Class A

UL 997 Wind Resistance

NTC-MEA-120-79-M

BOCA & SBCCI Building Code

ICC/ICBO Evaluation Report ER-5429 Pending

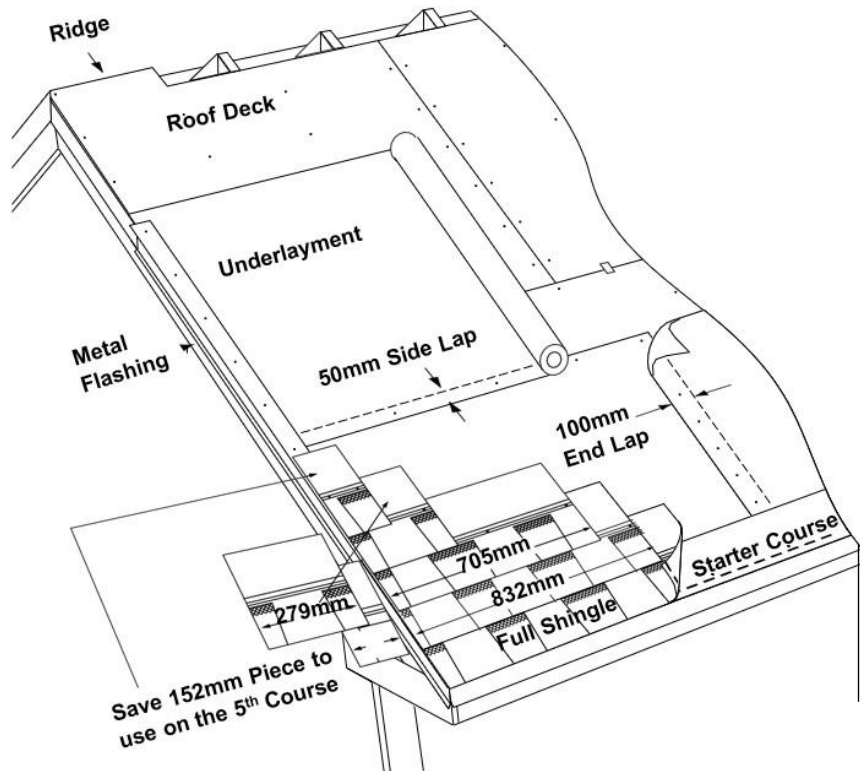
CSA Standard A123.5-98

Ontario BMEC Auth. 97-10-219

Miami-Dade Product Control Acceptance (Regionally)

INSTALLATION

Installation instructions, including diagrams, are supplied on each bundle of Landmark series shingles, or separate installation guides can be obtained by contacting Viking Roofspec.

**ROOF DECK REQUIREMENTS**

Apply shingles to a minimum of 15mm thick plywood, or 16.3mm H3.1 treated StrandSarking. Please see refer to the Viking CertainTeed substrate check list.

VALLEYS

Valley liner must be applied before shingles. The closed-cut valley application method is recommended using Viking Peel & Stick Waterproofing Underlayment, or Viking approved equivalent, to line the valley prior to being fully covered by the shingles.

Open valleys require to be lined with Viking Peel & Stick, or Viking approved equivalent.

VENTILATION

To best ensure adequate ventilation, use a combination of continuous ridge ventilation, incorporating an external baffle, and balanced drip edge ventilation. At the gable ridge, leave a minimum 150mm substrate unvented. See Figure 2.

UNDERLAYMENT

At standard slopes (18° or greater) a single layer of Viking Synthetic shingle underlayment (or product meeting ASTM D 4869 or ASTM D 6757) is recommended. A corrosion-resistant drip edge is recommended and should be placed over the underlayment at the rake and beneath the underlayment at the eaves.

On low slopes (10-18°) apply Viking Peel & Stick Waterproofing Shingle Underlayment or two layers of 900mm wide Viking Synthetic underlayment lapped 450mm, over the entire deck according to the application instructions provided with the product (Not for snow prone areas).

When Peel & Stick is applied to the rake area, the drip edge may be installed under or over the membrane. At the eave, the Peel & Stick is to be installed over the flashing.

In areas prone to snow, ice or driving rain; Viking Peel and Stick Underlay or its Viking approved equivalent must be used. Two layers of Viking Synthetic is not acceptable for these situations.

FASTENINGS

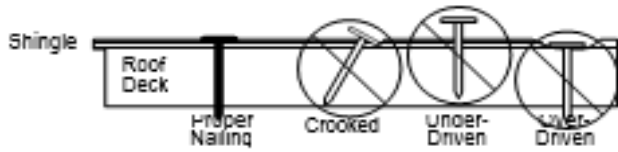


Figure 3

On low and standard slopes, four nails are required per shingle. Position nails vertically between the upper and lower nailing-guide lines. For low and standard slopes, it is acceptable to nail between either the middle and lower lines or between the upper and middle lines. Nails must be of sufficient length to penetrate the deck 20mm or through the thickness of the decking, whichever is less. Nails are to be 11- or 12-gauge, corrosion-resistant roofing nails with 9mm heads. For high corrosion zones e.g., coastal we recommend using stainless steel nails.

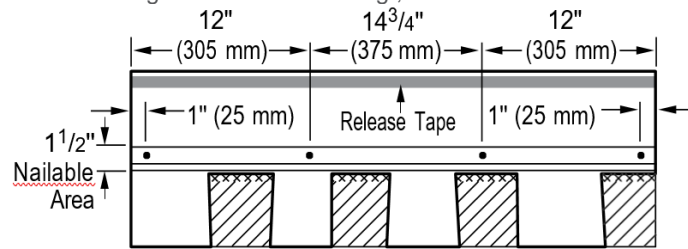


Figure 4: Use four nails for every full shingle.

STEEP SLOPES

On slopes, greater than 60°, fasten each shingle with 6 nails and four 25mm diameter spots of Viking Roofspec roofing cement (ASTM D 4586, Type II) placed under each shingle according to application instructions provided on the shingle package. Fasteners must penetrate the two-layer common bond area, also illustrated on the shingle package.

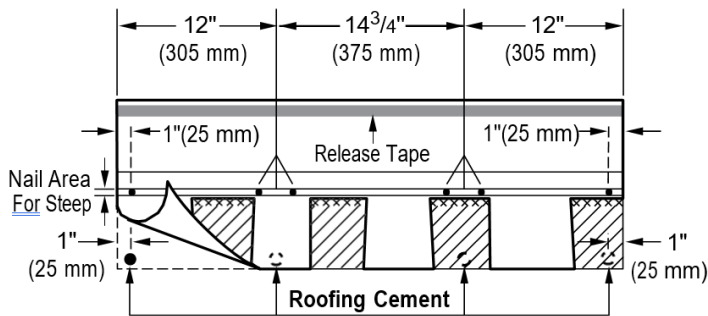


Figure 5: Use six nails and four spots of asphalt roofing cement on steep slopes.

Important: Failure to follow these steep slope instructions can void the warranty in the event of shingle delamination.

Caution: Excessive use of roofing cement can cause shingles to blister.

Figure 6 "Five-Course Diagonal Method" installation schematic.

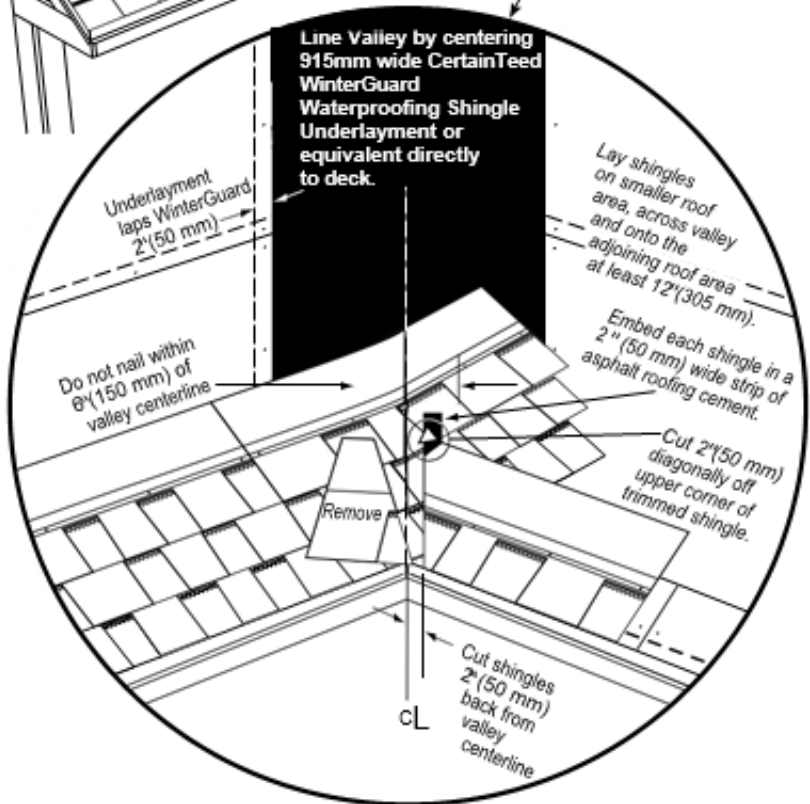
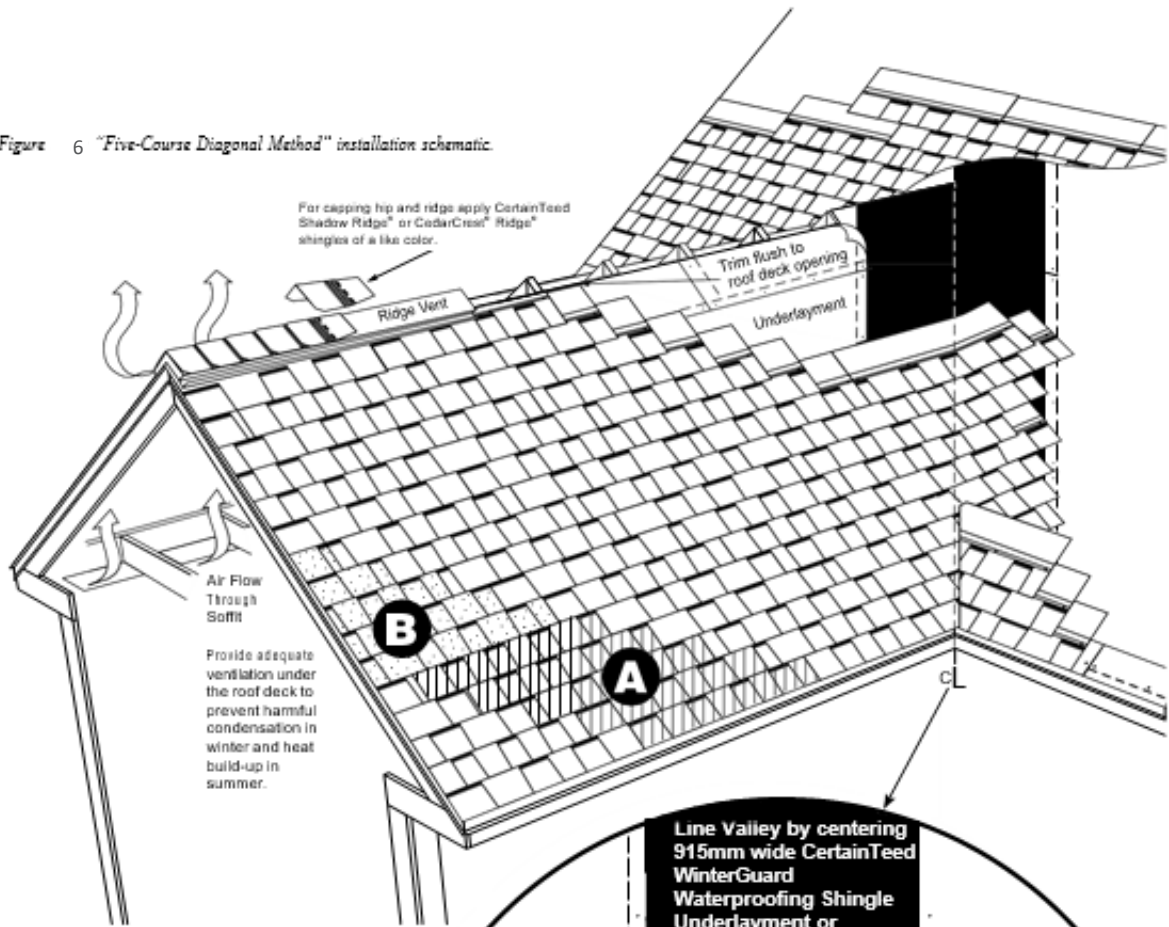


Figure 7 Highlight of closed-cut valley details.

STARTER

1. Use CertainTeed Swiftstart® Starter, or three-tab self-sealing shingles with the lower tab portions removed. Be sure that the starter shingles are at least 194mm in height. (Figure 2).

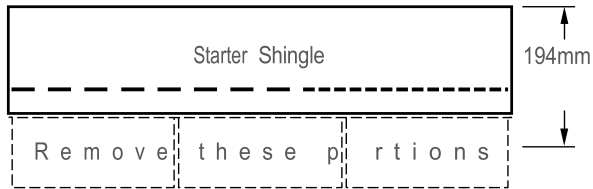


Figure 8 : Make starter shingles that are 194mm in height.

2. For the first starter, cut 152mm from one side of the starter shingle.
3. Apply the remaining piece to the lower left corner of the roof. Make sure there is 12.5 mm overhanging the rakes and eaves if drip-edge is being used.
4. If you are not using drip-edge, make the overhang 19mm.
5. Use full-length starter shingles for the rest of the course.

APPLICATION (METRIC-SIZED SHINGLES)

The recommended application method is the Five Course, Diagonal Method (Metric) found on each bundle of shingles, see figure 2. In this method, shingle course offsets as displayed below. These shingles may be used for new construction or for re-roofing over old metric-sized shingles. (Special conditions apply)

1ST COURSE: Apply a full shingle at the lower left corner of the roof. Make the lower edge and left edge lie flush with the edges of the starter course.

2ND THROUGH 5TH COURSES: CAUTION! Failure to follow instruction steps 1-5 below will bring joints too close together and may cause unattractive patterns!

1. Cut 152mm off the left end of the first shingle and save this piece for later use. Apply the 832mm long piece over and above the first-course shingle. Leave the bottom 143mm tab portion of the first-course shingle exposed.
2. Cut 279mm off the first shingle of the third course and save this for later. Install the 705mm long piece over and above the second course shingle.
3. Apply the previously removed 279mm long piece over and above the third-course shingle.
4. Apply the previously removed 152mm long piece from the second course over and above the fourth-course shingle.
5. Install a full shingle against the right edge of each shingle in courses one through five.

CONTINUING UP THE ROOF:

1. Beginning again with a full shingle, repeat the five-course pattern up the left rake. (Figure 11-8, B).
2. Fill-in courses across the roof in a stepped diagonal fashion using full shingles. (Figure 11-8, A). Do not run courses straight across. IMPORTANT: Do not align joints of shingles closer than 3 1/2" from one another.

FLASHING

Use corrosion-resistant flashing.

STEP FLASHINGS

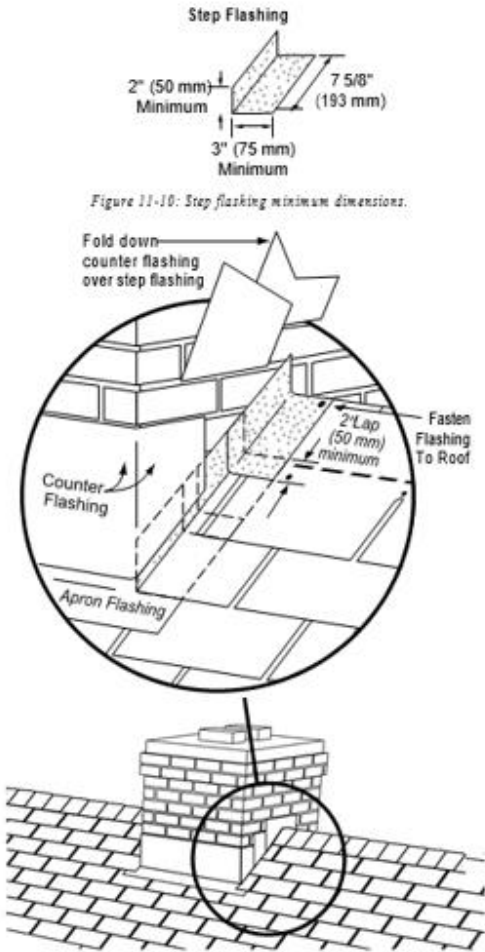
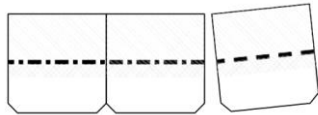


Figure:9

HIPS AND RIDGES

Use CertainTeed’s Shadow Ridge, accessory roofing shingles of a like colour for capping hips and ridges. Shadow Ridge shingles have an accented shadow line that is designed to complement these shingles. Simply fold along the pre-cut lines and detach individual cap pieces. Save valuable installation time compared to cutting 3-tab shingles.



300mm Shadow Ridge has 24 three-piece units in each Shadow Ridge bundle, providing 72 individual caps that will cover 9.1 l/m of a hip or ridge. Cap pieces are 305mm by 305mm. The 250mm version detaches in to four-piece units to make 96 individual pieces and covers 13.7 l/m. Each Metric dimension cap piece is 337mm by 251. Both versions feature clipped corners on the bottom edge of the exposed portion.

The APPLICATION IS AS FOLLOWS:

1. Apply shingles up to the hip or ridge on both sides, then trim flush.

NOTE: The last course of shingles should have an exposure of

125mm (for the 300mm wide caps), and 143mm (for 250mm wide caps) or less when the shingle cap or ridge vent is fastened in place. Otherwise, a potential water leak could occur at exposed shingle end joints. The figures used in this section illustrate the application of accessory shingles over a ridge vent; the application directly to the roof deck is very similar.

IMPORTANT: Use two nails to fasten each shingle. Nails must be a **minimum 45mm long**.

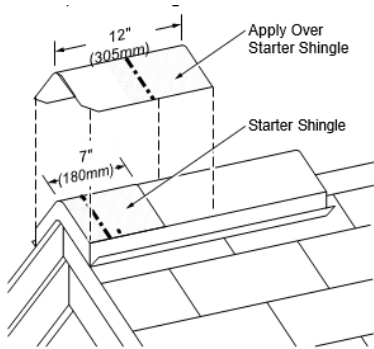


Figure 10-1: Apply a full cap shingle over the starter piece, flush with the bottom and side edges of the starter.

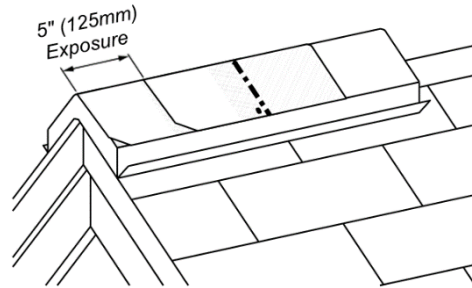


Figure 10-2 : Install cap shingles at their correct exposure and cover all fasteners.

- Install caps beginning at the bottom of a hip or at either end of a ridge. Apply a starter piece with the bottom 125mm (for 250mm caps) removed. Start the starter with two nails located about 75mm from the rake edge, and 25mm from each side edge. Make sure fasteners used to apply caps penetrate at least 19mm into or through the decking.

NOTE: Each cap has a laying/alignment notch at the top edge to centre the piece on the ridge line, and two notches on each side to indicate the correct exposure and shadow-line placement (Figure 11). The side notches of the cap being applied should be aligned with the top edge of the previously applied cap.

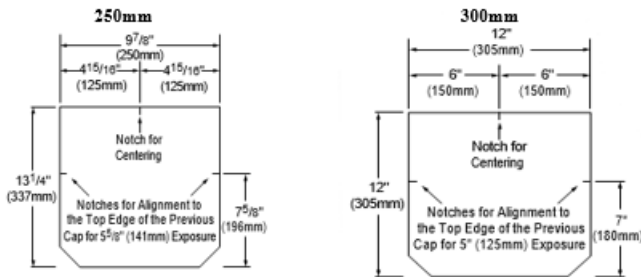


Figure 11-: Each Shadow Ridge® shingle has a centering notch and two side-alignment notches to help ensure proper placement

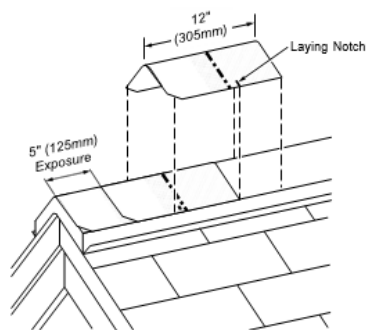


Figure 12: Use laying notches to centre shingles on hips and ridges, and to locate the correct exposure.

Cleaning and Maintenance

Please refer to the CertainTeed Cleaning and maintenance guide.

N.B If potable water is being collected from the roof, disconnect all down pipes prior to applying the chlorine solution. Viking Roofspec does not recommend the use of any other alternative form of treatment.

Precautions

Order for the entire project all at once: To ensure the best colour match for your whole roof, order everything you need all at once. If you do require more stock for a project, please tell customer services that you have had a previous order and want to order from the same batch.

- **Follow Manufacturer's Instructions:** Always refer to the installation instructions provided by CertainTeed for the Landmark shingles. With Viking Roofspec standard details, these instructions detail the specific requirements and recommendations for installation. There is a basic install at the back of every pack
- **Check Weather Conditions:** Ensure that the weather conditions are suitable for installation. Avoid installing shingles during extremely hot or cold temperatures, high winds, or precipitation, as these conditions can affect the integrity of the installation. If the packs are too cold you will need set them out in the sun for a bit to allow them to find their natural form.
- **Prepare the Roof Deck:** The roof deck should be clean, dry, and free from any debris or protrusions that could affect the installation or the performance of the shingles. Repair any damaged areas of the roof deck before installing the shingles. Deck should be 18% or less moisture content. Substrate must be installed in a brick bond pattern. Substrate to be installed perpendicular to the rafters.
- **Use Proper Fasteners:** Use the recommended nails or fasteners specified for the Landmark shingles. Proper fastening is essential to ensure that the shingles are securely attached to the roof deck and can withstand wind uplift. Ensure that you use the right nails grade for the corrosion zone. Use the right number of fixings and fixing patterns for the required wind zone.
- **Install Underlayment:** Install an appropriate underlayment beneath the shingles to provide an additional layer of protection against moisture infiltration and to enhance the roof's waterproofing. Minimum 100mm overlap for joins.
- **Follow Correct Installation Technique:** Install the shingles according to the recommended technique, including the proper overlap and alignment. Ensure that each shingle is properly positioned and fastened to prevent water intrusion and wind damage.
- **Apply Sealant:** Use Viking pitched roof sealant to seal around flashing, vents, and other roof penetrations to prevent water leakage.
- **Inspect Regularly:** After installation, perform regular inspections of the roof to check for any signs of damage or deterioration. Promptly repair any issues to maintain the integrity of the roof system.

Storage

Handling and storage of all materials whether on or off site is under the control of the Viking Roofspec Licensed and Trained Installers. Dry storage must be provided for all products, do not let products get crushed under weight of stacking pallets on top of each other.

Auckland office

80 Alexander Crescent,
 Otara PO Box 14-541,
 Panmure, Auckland
 1741, New Zealand

Christchurch office

2 Nazareth Avenue,
 Middleton, PO Box
 9117, Tower Junction
 Christchurch 8149,
 New Zealand

Wellington office

19 Pretoria St,
 Lower Hutt 5010,
 New Zealand

T: 0800 729 799
 F: 0800 729 788

info@vikingroofspec.co.nz
www.vikingroofspec.co.nz

A division of Viking Group Limited